

DEVICE
PERFORMANCE
SPECIFICATION

KODAK KAI-2020
KODAK KAI-2020M
KODAK KAI-2020CM
Image Sensor

1600 (H) x 1200 (V)
Interline Transfer
Progressive Scan CCD

October 5, 2004
Revision 2.0

TABLE OF CONTENTS

TABLE OF FIGURES..... 4

DEVICE DESCRIPTION..... 6

 ARCHITECTURE 6

 OVERALL..... 6

Pixel 7

Vertical to Horizontal Transfer 8

Horizontal Register to Floating Diffusion 9

Horizontal Register Split 10

Single Output Operation 10

Dual Output Operation 10

Output 11

ESD Protection 12

 PHYSICAL DESCRIPTION..... 14

Pin Description and Device Orientation 14

PERFORMANCE..... 15

 POWER - ESTIMATED 15

 FRAME RATES 15

 IMAGING PERFORMANCE..... 16

Image Performance Operational Conditions..... 16

Imaging Performance Specifications 16

Defect Definitions..... 19

Defect Map..... 19

Quantum Efficiency..... 20

Angular Quantum Efficiency 21

Dark Current versus Temperature 22

TEST DEFINITIONS..... 23

 TEST REGIONS OF INTEREST 23

 OVERCLOCKING 23

Tests 24

OPERATION 27

 MAXIMUM RATINGS..... 27

 DC BIAS OPERATING CONDITIONS 28

 AC OPERATING CONDITIONS 28

Clock Levels..... 28

Clock Line Capacitances 29

 TIMING REQUIREMENTS 30

 TIMING MODES 31

Progressive Scan..... 31

 FRAME TIMING..... 32

Frame Timing without Binning - Progressive Scan..... 32

Frame Timing for Vertical Binning by 2 - Progressive Scan..... 32

Frame Timing Edge Alignment 33

 LINE TIMING 34

Line Timing Single Output – Progressive Scan 34

Line Timing Dual Output – Progressive Scan..... 34

Line Timing Vertical Binning by 2 – Progressive Scan 35

Line Timing Detail – Progressive Scan..... 36

Line Timing Binning by 2 Detail – Progressive Scan..... 36

Line Timing Edge Alignment..... 37

PIXEL TIMING 38

Pixel Timing Detail..... 38

FAST LINE DUMP TIMING..... 39

ELECTRONIC SHUTTER 40

Electronic Shutter Line Timing..... 40

Electronic Shutter – Integration Time Definition 40

Electronic Shutter Description 41

LARGE SIGNAL OUTPUT 41

STORAGE AND HANDLING 42

 STORAGE CONDITIONS 42

 SOLDERING RECOMMENDATIONS..... 42

MECHANICAL DRAWINGS 43

 PACKAGE 43

 DIE TO PACKAGE ALIGNMENT 44

 GLASS 45

 GLASS TRANSMISSION 46

QUALITY ASSURANCE AND RELIABILITY 47

ORDERING INFORMATION 48

 AVAILABLE PART CONFIGURATIONS 48

REVISION CHANGES 49

TABLE OF FIGURES

Figure 1 - Sensor Architecture 6

Figure 2 - Pixel Architecture 7

Figure 3 - Vertical to Horizontal Transfer Architecture 8

Figure 4 - Horizontal Register to Floating Diffusion Architecture 9

Figure 5 - Horizontal Register 10

Figure 6 - Output Architecture 11

Figure 7 - ESD Protection 13

Figure 8 - Power 15

Figure 9 - Frame Rates 15

Figure 10 - Monochrome Quantum Efficiency 20

Figure 11 - Color Quantum Efficiency 20

Figure 12 - Ultraviolet Quantum Efficiency (without coverglass) 21

Figure 13 - Angular Quantum Efficiency 21

Figure 14 - Dark Current versus Temperature 22

Figure 15 - Overclock Regions of Interest 23

Figure 16 - Test Sub Regions of Interest 26

Figure 17 - Clock Line Capacitances 29

Figure 18 - Framing Timing without Binning 32

Figure 19 - Frame Timing for Vertical Binning by 2 32

Figure 20 - Frame Timing Edge Alignment 33

Figure 21 - Line Timing Single Output 34

Figure 22 - Line Timing Dual Output 34

Figure 23 - Line Timing Vertical Binning by 2 35

Figure 24 - Line Timing Detail 36

Figure 25 - Line Timing by 2 Detail 36

Figure 26 - Line Timing Edge Alignment 37

Figure 27 - Pixel Timing 38

Figure 28 - Pixel Timing Detail 38

Figure 29 - Fast Line Dump Timing 39

Figure 30 - Electronic Shutter Line Timing 40

Figure 31 - Integration Time Definition 40

Figure 32 - Package Drawing 43

Figure 33 - Die to Package Alignment 44

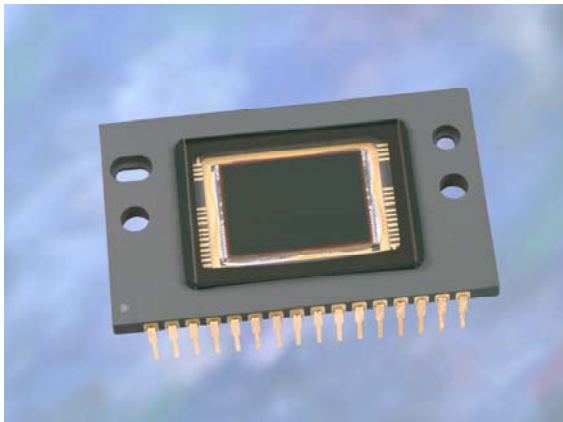
Figure 34 - Glass Drawing 45

Figure 35 – MAR Glass Transmission 46

Figure 36 – Quartz Glass Transmission 46

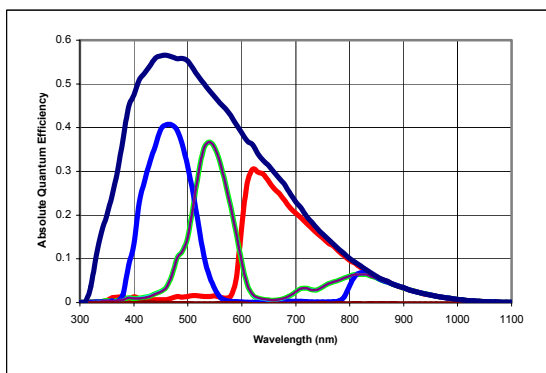
SUMMARY SPECIFICATION

KODAK KAI-2020 Image Sensor 1600 (H) x 1200 (V) Interline Transfer Progressive Scan CCD



Description

The Kodak KAI-2020 Image Sensor is a high-performance 2-million pixel sensor designed for a wide range of medical, scientific and machine vision applications. The 7.4µm square pixels with microlenses provide high sensitivity and the large full well capacity results in high dynamic range. The split horizontal register offers a choice of single or dual output allowing either 18 or 35 frame per second (fps) video rate for the progressively scanned images. Also included is a fast line dump for sub-sampling at higher frame rates. The vertical overflow drain structure provides antiblooming protection and enables electronic shuttering for precise exposure control. Other features include low dark current, negligible lag and low smear.



Parameter	Value
Architecture	Interline CCD; Progressive Scan
Total Number of Pixels	1640 (H) x 1214 (V) = approx. 1.99M
Number of Effective Pixels	1608 (H) x 1208 (V) = approx. 1.94M
Number of Active Pixels	1600 (H) x 1200 (V) = approx. 1.92M
Number of Outputs	1 or 2
Pixel Size	7.4µm (H) x 7.4µm (V)
Imager Size	14.803mm (diagonal)
Chip Size	13.38mm (H) x 9.52mm (V)
Aspect Ratio	4:3
Output Sensitivity	30 µV/e
Charge Capacity	40 MHz – 20,000 e- 20 MHz – 40,000 e-
Readout Noise	40 MHz – 20 electrons 20 MHz – 16 electrons
Dynamic Range	40 MHz – 60 dB 20 MHz – 68 dB
Dark Current	< 0.5 nA/cm ²
Maximum Pixel Clock Speed	40 MHz
Maximum Frame Rate	Dual outout – 35 fps Single output – 18 fps
Package type	CerDIP
Package Size	0.790" [20.07mm] width 1.300" [33.02mm] length
Package pins	32
Package pin spacing	0.070"

All parameters above are specified at T = 40°C

REVISION NO.: 2.0
EFFECTIVE DATE: October 5, 2004

KAI-2020 Revision 2.0
www.kodak.com/go/imagers 585-722-4385 Email: imagers@kodak.com

DEVICE DESCRIPTION

Architecture

Overall

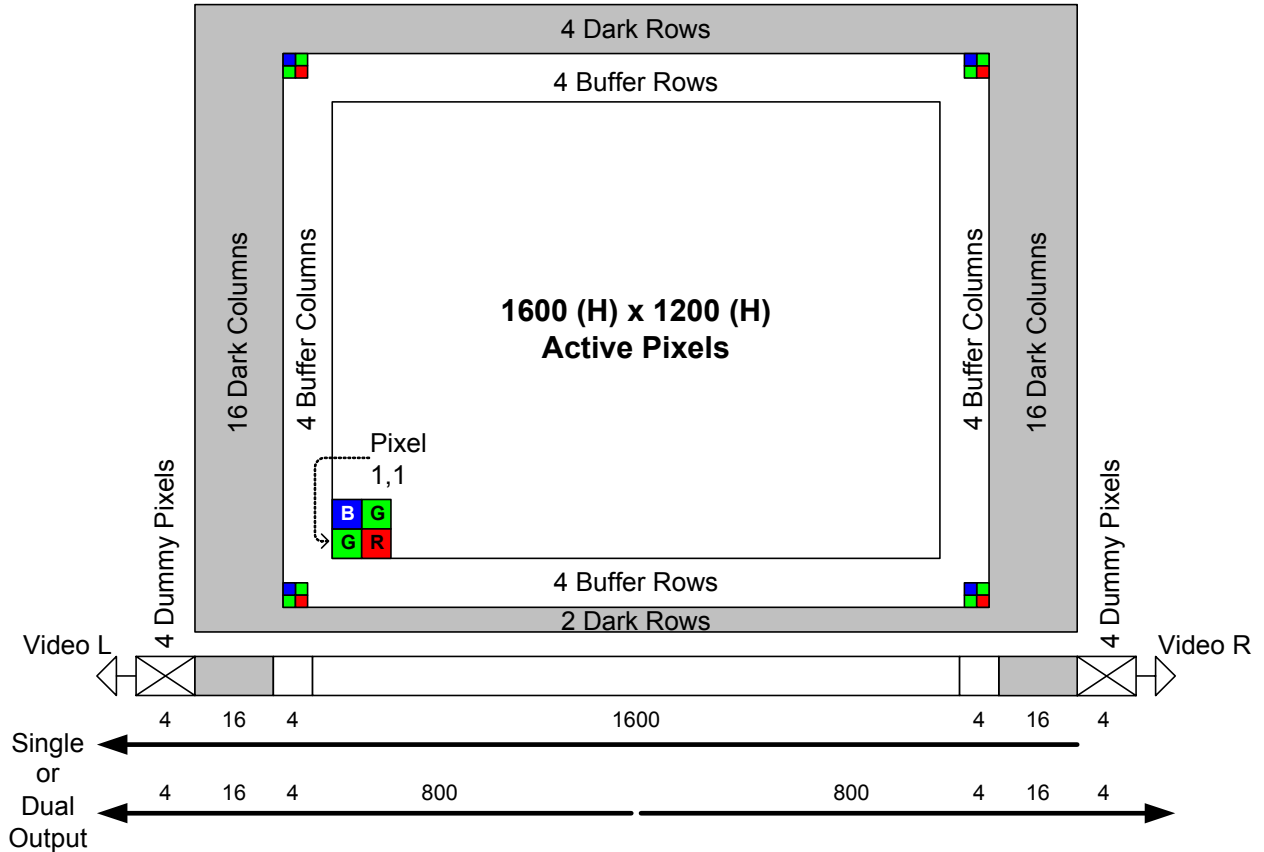


Figure 1 - Sensor Architecture

There are 2 light shielded rows followed 1208 photoactive rows and finally 4 more light shielded rows. The first 4 and the last 4 photoactive rows are buffer rows giving a total of 1200 lines of image data.

In the single output mode all pixels are clocked out of the Video L output in the lower left corner of the sensor. The first 4 empty pixels of each line do not receive charge from the vertical shift register. The next 16 pixels receive charge from the left light shielded edge followed by 1608 photosensitive pixels and finally 16 more light shielded pixels

from the right edge of the sensor. The first and last 4 photosensitive pixels are buffer pixels giving a total of 1600 pixels of image data.

In the dual output mode the clocking of the right half of the horizontal CCD is reversed. The left half of the image is clocked out Video L and the right half of the image is clocked out Video R. Each row consists of 4 empty pixels followed by 16 light shielded pixels followed by 800 photosensitive pixels. When reconstructing the image, data from Video R will have to be reversed in a line buffer and appended to the Video L data.

Pixel

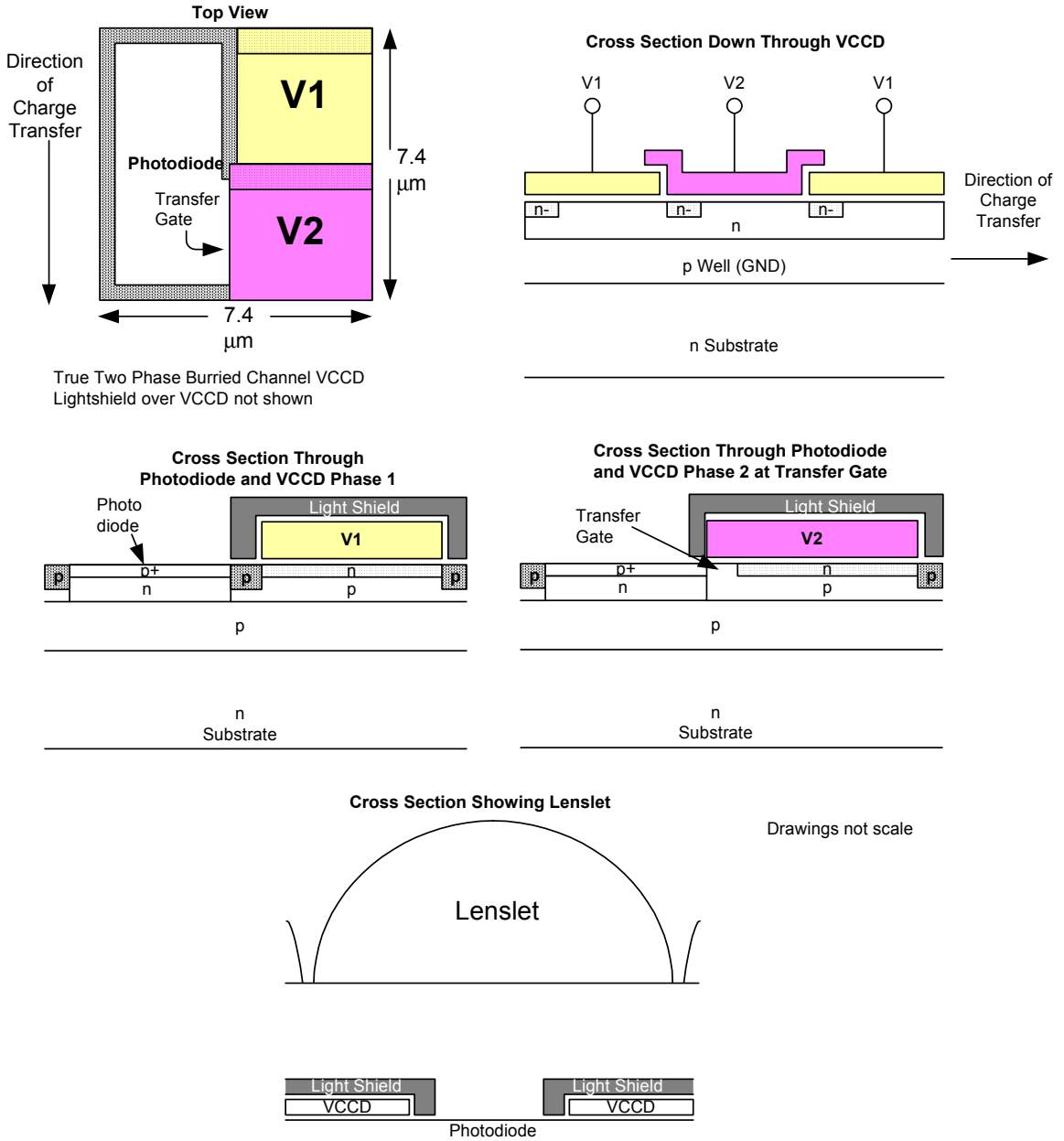


Figure 2 - Pixel Architecture

An electronic representation of an image is formed when incident photons falling on the sensor plane create electron-hole pairs within the individual silicon photodiodes. These photoelectrons are collected locally by the formation of potential wells at each photosite. Below photodiode saturation,

the number of photoelectrons collected at each pixel is linearly dependant upon light level and exposure time and non-linearly dependant on wavelength. When the photodiodes charge capacity is reached, excess electrons are discharged into the substrate to prevent blooming.

Vertical to Horizontal Transfer

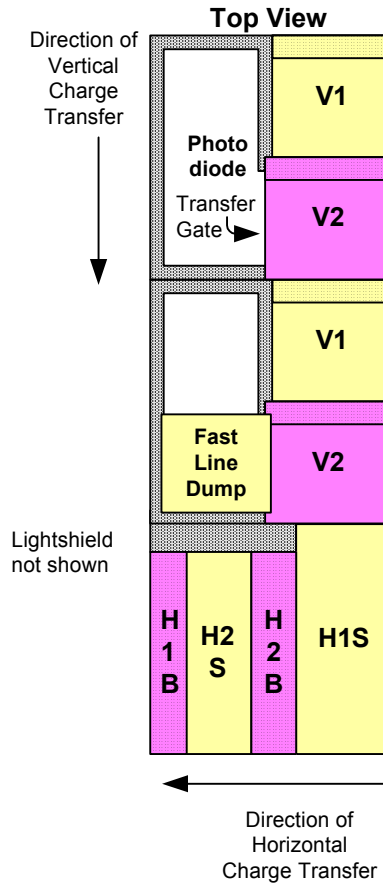


Figure 3 - Vertical to Horizontal Transfer Architecture

When the V1 and V2 timing inputs are pulsed, charge in every pixel of the VCCD is shifted one row towards the HCCD. The last row next to the HCCD is shifted into the HCCD. When the VCCD is shifted, the timing signals to the HCCD must be stopped. H1 must be stopped in the high state and H2 must be stopped in the low state. The HCCD clocking may begin THD μ s after the falling edge of the V1 and V2 pulse.

Charge is transferred from the last vertical CCD phase into the H1S horizontal CCD phase. Refer to Figure 24 for an example of timing that accomplishes the vertical to horizontal transfer of charge.

If the fast line dump is held at the high level (FDH) during a vertical to horizontal transfer, then the entire line is removed and not transferred into the horizontal register.

Horizontal Register to Floating Diffusion

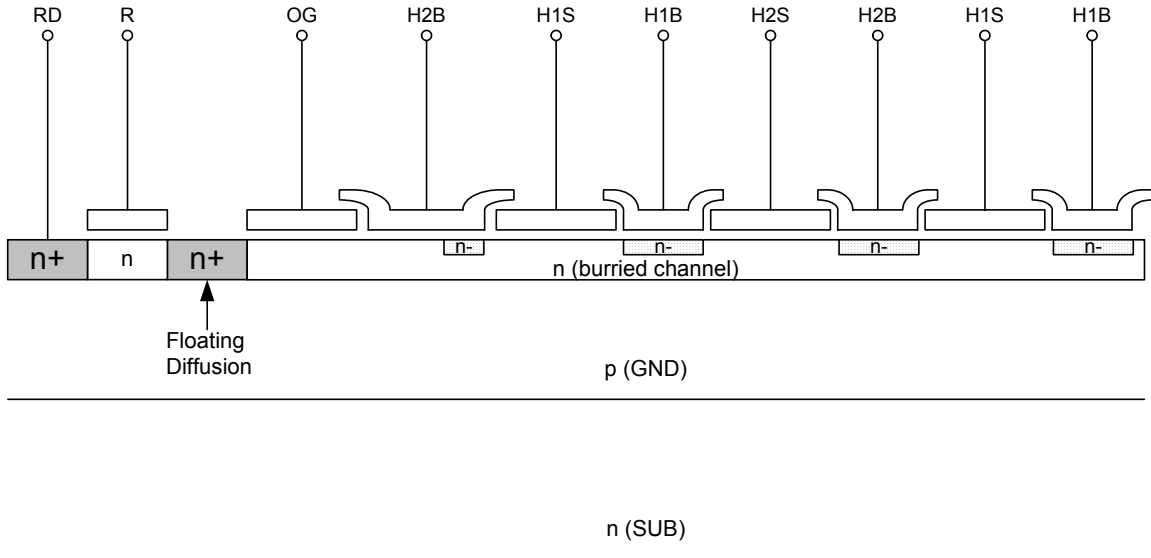


Figure 4 - Horizontal Register to Floating Diffusion Architecture

The HCCD has a total of 1648 pixels. The 1640 vertical shift registers (columns) are shifted into the center 1640 pixels of the HCCD. There are 4 pixels at both ends of the HCCD, which receive no charge from a vertical shift register. The first 4 clock cycles of the HCCD will be empty pixels (containing no electrons). The next 16 clock cycles will contain only electrons generated by dark current in the VCCD and photodiodes. The next 1608 clock cycles will contain photo-electrons (image data). Finally, the last 16 clock cycles will contain only electrons generated by dark current in the VCCD and photodiodes. Of the 16 dark columns, the first and last dark columns should not be used for determining the zero signal level. Some light does leak into the first and last dark columns. Only use the center 14 columns of the 16 column dark reference.

When the HCCD is shifting valid image data, the timing inputs to the electronic shutter (SUB), VCCD (V1, V2), and fast line dump (FD) should be not be pulsed. This prevents unwanted noise from being introduced. The HCCD is a type of charge coupled device known as a pseudo-two phase CCD. This type of CCD has the ability to shift charge in two directions. This allows the entire image to be shifted out to the video L output, or to the video R output (left/right image reversal). The HCCD is split into two equal halves of 824 pixels each. When operating the sensor in single output mode the two halves of the HCCD are shifted in the same direction. When operating the sensor in dual output mode the two halves of the HCCD are shifted in opposite directions. The direction of charge transfer in each half is controlled by the H1BL, H2BL, H1BR, and H2BR timing inputs.

Horizontal Register Split

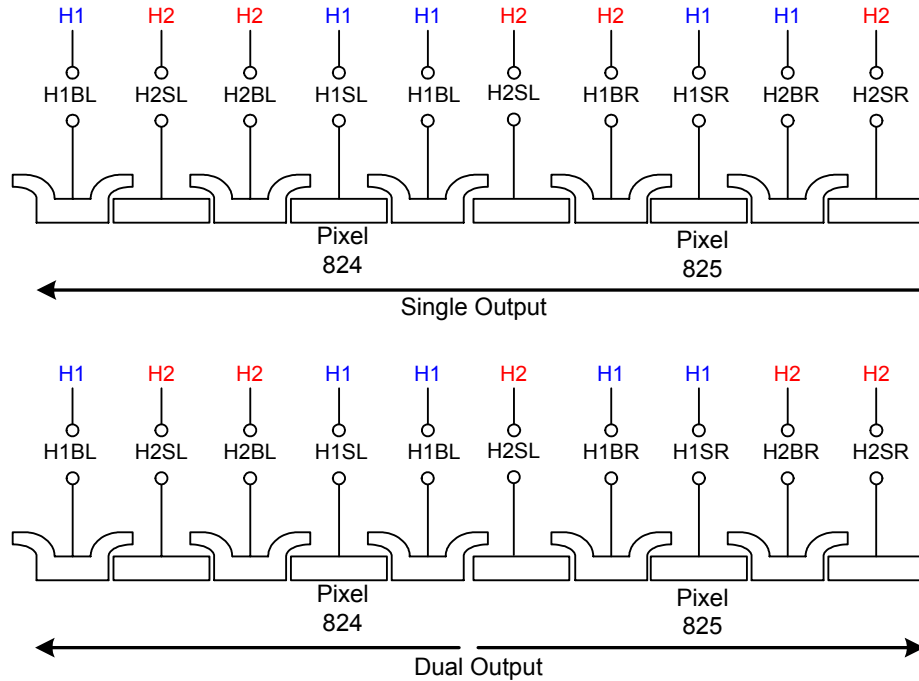


Figure 5 - Horizontal Register

Single Output Operation

When operating the sensor in single output mode all pixels of the image sensor will be shifted out the Video L output (pin 31). To conserve power and lower heat generation the output amplifier for Video R may be turned off by connecting VDDR (pin 24) and VOUTR (pin 24) to GND (zero volts).

The H1 timing from the timing diagrams should be applied to H1SL, H1BL, H1SR, H2BR, and the H2 timing should be applied to H2SL, H2BL, H2SR, and H1BR. In other words, the clock driver generating the H1 timing should be connected to pins 4, 3, 13, and 15. The clock driver generating the H2 timing should be connected to pins 5, 2, 12, and 14. The horizontal CCD should be clocked for 4 empty pixels plus 16 light shielded pixels plus 1608 photoactive pixels plus 16 light shielded pixels for a total of 1644 pixels.

Dual Output Operation

In dual output mode the connections to the H1BR and H2BR pins are swapped from the single

output mode to change the direction of charge transfer of the right side horizontal shift register. In dual output mode both VDDL and VDDR (pins 25, 24) should be connected to 15 V. The H1 timing from the timing diagrams should be applied to H1SL, H1BL, H1SR, H1BR, and the H2 timing should be applied to H2SL, H2BL, H2SR, and H2BR. The clock driver generating the H1 timing should be connected to pins 4, 3, 13, and 14. The clock driver generating the H2 timing should be connected to pins 5, 2, 12, and 15. The horizontal CCD should be clocked for 4 empty pixels plus 16 light shielded pixels plus 804 photoactive pixels for a total of 824 pixels. If the camera is to have the option of dual or single output mode, the clock driver signals sent to H1BR and H2BR may be swapped by using a relay. Another alternative is to have two extra clock drivers for H1BR and H2BR and invert the signals in the timing logic generator. If two extra clock drivers are used, care must be taken to ensure the rising and falling edges of the H1BR and H2BR clocks occur at the same time (within 3ns) as the other HCCD clocks.

Output

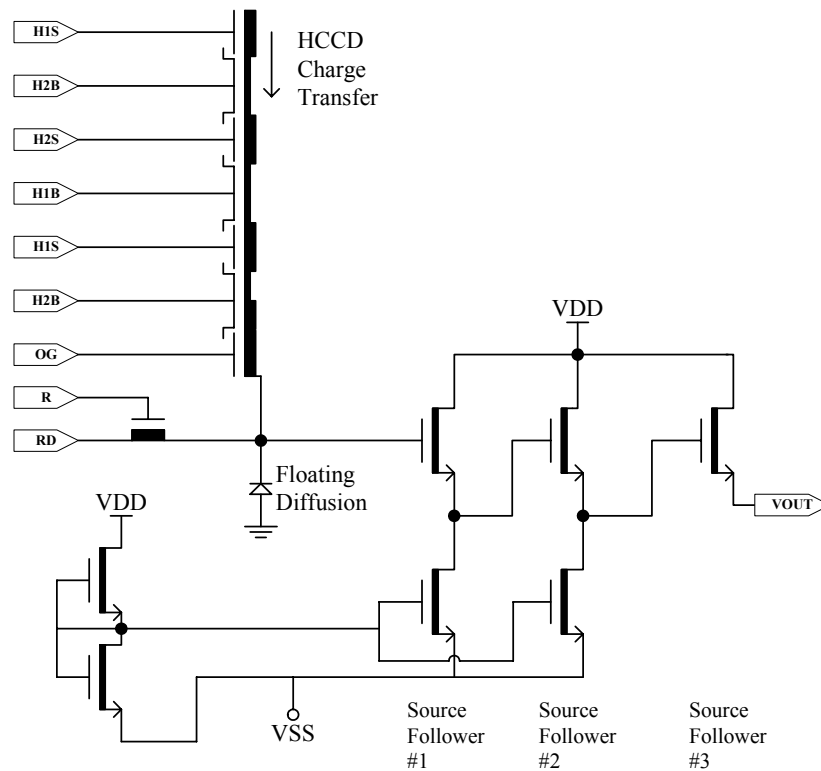


Figure 6 - Output Architecture

Charge packets contained in the horizontal register are dumped pixel by pixel onto the floating diffusion (fd) output node whose potential varies linearly with the quantity of charge in each packet. The amount of potential charge is determined by the expression $\Delta V_{fd} = \Delta Q / C_{fd}$. A three-stage source-follower amplifier is used to buffer this signal voltage off chip with slightly less than unity gain. The translation from the charge domain to the voltage domain is quantified by the output sensitivity or charge to voltage conversion in terms of microvolts per electron ($\mu V/e^-$). After the signal has been sampled off chip, the reset clock (R) removes the charge from the floating diffusion and resets its potential to the reset drain voltage (RD).

When the image sensor is operated in the binned or summed interlaced modes there will be more than 20,000 electrons in the output signal. The image sensor is designed with a $30\mu V/e^-$ charge to voltage conversion on the output. This means a full signal of 20,000 electrons will produce a 600mV change on the output amplifier. The output amplifier was designed to handle an output swing of 600 mV at a pixel rate of 40MHz. If 40,000

electron charge packets are generated in the binned or summed interlaced modes then the output amplifier output will have to swing 1200 mV. The output amplifier does not have enough bandwidth (slew rate) to handle 1200mV at 40MHz. Hence, the pixel rate will have to be reduced to 20MHz if the full dynamic range of 40,000 electrons is desired.

The charge handling capacity of the output amplifier is also set by the reset clock voltage levels. The reset clock driver circuit is very simple if an amplitude of 5V is used. But the 5V amplitude restricts the output amplifier charge capacity to 20,000 electrons. If the full dynamic range of 40,000 electrons is desired then the reset clock amplitude will have to be increased to 7V. If you only want a maximum signal of 20,000 electrons in binned or summed interlaced modes, then a 40MHz pixel rate with a 5V reset clock may be used. The output of the amplifier will be unpredictable above 20,000 electrons so be sure to set the maximum input signal level of your analog to digital converter to the equivalent of 20,000 electrons (600mV).

The following table summarizes the previous explanation on the output amplifier’s operation. Certain trade-offs can be made based on application needs such as Dynamic Range or Pixel frequency.

Pixel Freq. (MHz)	Reset Clock Amplitude (V)	Output Gate (V)	Saturation Signal (mV)	Saturation Signal (ke-)	Dynamic Range (dB)	Notes
40	5	-2.0	600	20	60	
20	5	-2.0	600	20	62	
20	7	-3	1200	40	68	
20	7	-3	2400	80	74	1

Notes:

- 80,000 electrons achievable in summed interlaced or binning modes.

ESD Protection

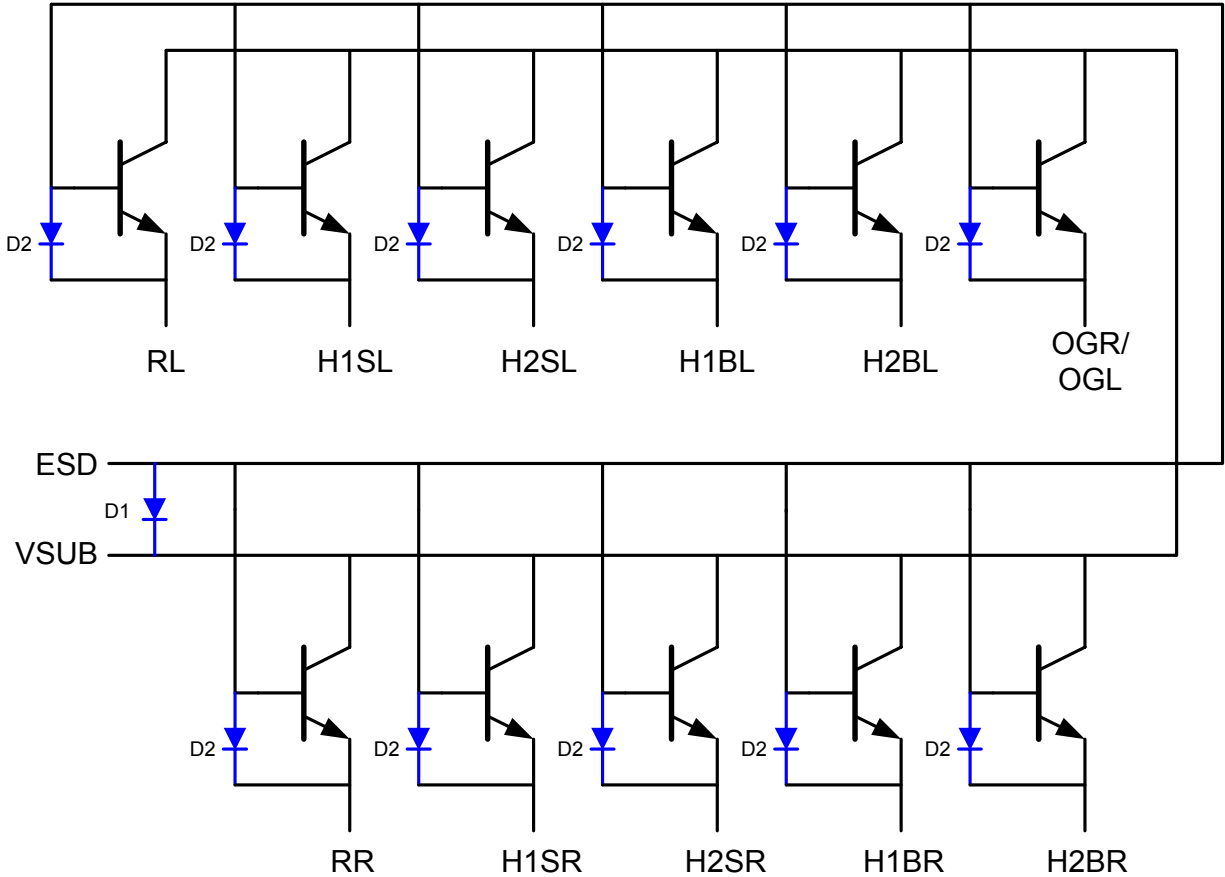


Figure 7 - ESD Protection

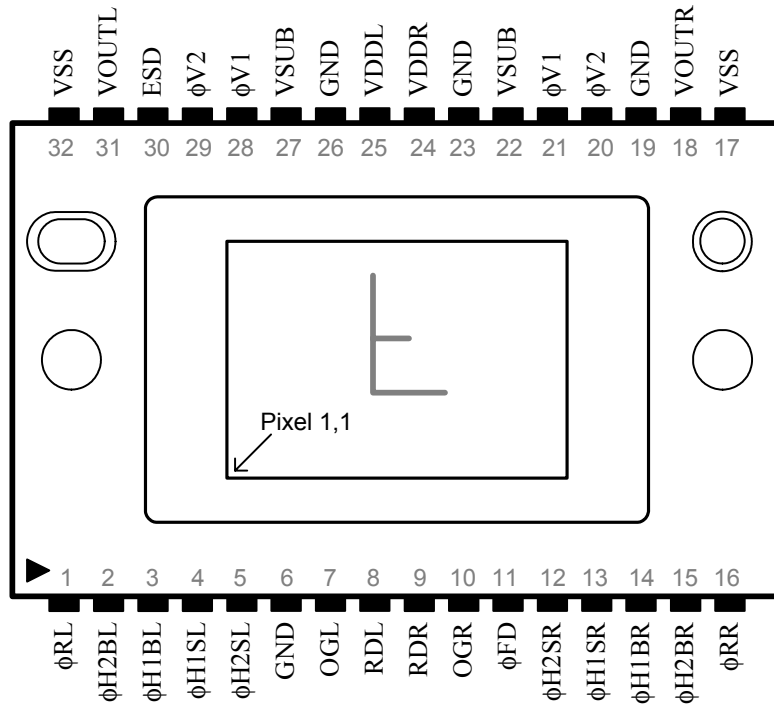
The ESD protection on the KAI-2020 is implemented using bipolar transistors. The substrate (VSUB) forms the common collector of all the ESD protection transistors. The ESD pin is the common base of all the ESD protection transistors. Each protected pin is connected to a separate emitter as shown in Figure 7 - ESD Protection.

The ESD circuit turns on if the base-emitter junction voltage exceeds 17V. Care must be taken while operating the image sensor, especially during the power on sequence, to not forward bias the base-emitter or base-collector junctions. If it is possible for the camera power up sequence to forward bias these junctions then diodes D1 and D2 should be added to protect the image sensor. Put one diode D1 between the ESD and VSUB pins. Put one diode D2 on each pin that may forward bias the base-emitter junction. The diodes will prevent large currents from flowing through the image sensor.

Note that diodes D1 and D2 are added external to the KAI-2020 CCD. These diodes are optional in camera design.

Physical Description

Pin Description and Device Orientation



Pin	Name	Description	Pin	Name	Description
1	ϕ RL	Reset Gate, Left	32	VSS	Output Amplifier Return
2	ϕ H2BL	H2 Barrier, Left	31	VOUTL	Video Output, Left
3	ϕ H1BL	H1 Barrier, Left	30	ESD	ESD
4	ϕ H1SL	H1 Storage, Left	29	ϕ V2	Vertical Clock, Phase 2
5	ϕ H2SL	H2 Storage, Left	28	ϕ V1	Vertical Clock, Phase 1
6	GND	Ground	27	VSUB	Substrate
7	OGL	Output Gate, Left	26	GND	Ground
8	RDL	Reset Drain, Left	25	VDDL	Vdd, Left
9	RDR	Reset Drain, Right	24	VDDR	Vdd, Right
10	OGR	Output Gate, Right	23	GND	Ground
11	FD	Fast Line Dump Gate	22	VSUB	Substrate
12	ϕ H2SR	H2 Storage, Right	21	ϕ V1	Vertical Clock, Phase 1
13	ϕ H1SR	H1 Storage, Right	20	ϕ V2	Vertical Clock, Phase 2
14	ϕ H1BR	H1 Barrier, Right	19	GND	Ground
15	ϕ H2BR	H2 Barrier, Right	18	VOUTR	Video Output, Right
16	ϕ RR	Reset Gate, Right	17	VSS	Output Amplifier Return

The pins are on a 0.07" spacing

PERFORMANCE

Power - Estimated

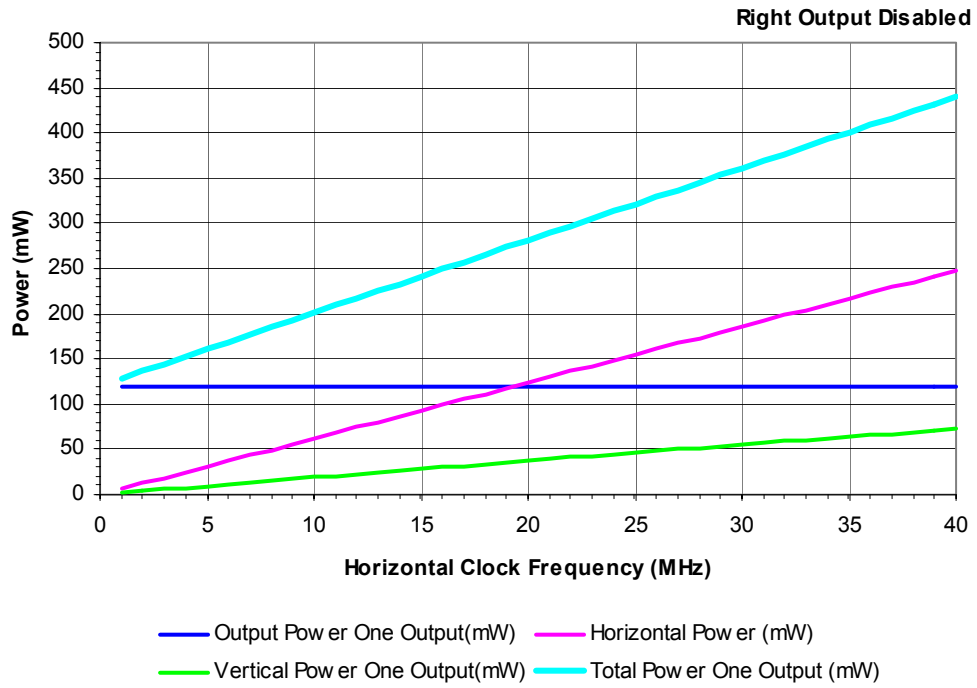


Figure 8 - Power

Frame Rates

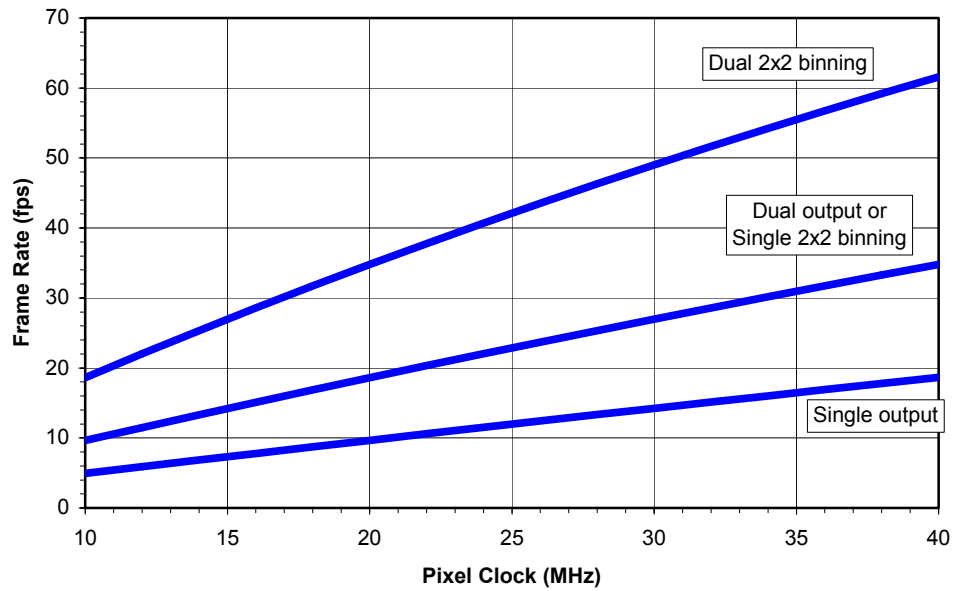


Figure 9 - Frame Rates

Imaging Performance

Image Performance Operational Conditions

Unless otherwise noted, the Imaging Performance Specifications are measured using the following conditions:

Description	Condition	Notes
Frame time	237 msec	1
Horizontal clock frequency	10 MHz	
Light Source (LED)	Continuous red, green and blue illumination centered at 450, 530 and 650 nm	2,3
Operation	Nominal operating voltages and timing	

Notes:

1. Electronic shutter is not used. Integration time equals frame time.
2. LEDs used: Blue: Nichia NLPB500, Green: Nichia NSPG500S and Red: HP HLMP-8115.
3. For monochrome sensor, only green LED used.

Imaging Performance Specifications

KAI-2020M and KAI-2020CM

Description	Symbol	Min.	Nom.	Max.	Units	Sampling Plan	Temperature(s) Tested At (°C)	Notes	Test
Dark Center Uniformity		n/a	n/a	20	e ⁻ rms	Die	27, 40		1
Dark Global Uniformity		n/a	n/a	5.0	mVpp	Die	27, 40		2
Global Uniformity		n/a	2.5	5.0	%rms	Die	27, 40	1	3
Global Peak to Peak Uniformity	PRNU	n/a	10	20	%pp	Die	27, 40	1	4
Center Uniformity		n/a	1.0	2.0	%rms	Die	27, 40	1	5
Maximum Photoresponse Nonlinearity	NL	n/a	2		%	Design		2,3	
Maximum Gain Difference Between Outputs	ΔG	n/a	10		%	Design		2,3	
Max. Signal Error due to Nonlinearity Dif.	ΔNL	n/a	1		%	Design		2,3	

Description (cont)	Symbol	Min.	Nom.	Max.	Units	Samp-ling Plan	Tempera- ture(s) Tested At (°C)	Notes	Test
Horizontal CCD Charge Capacity	Hne	n/a	100	n/a	ke ⁻	Design			
Vertical CCD Charge Capacity	VNe	n/a	50	n/a	ke ⁻	Die			
Photodiode Charge Capacity (≤ 20 MHz)	PNe	38	40	n/a	ke ⁻	Die			
Photodiode Charge Capacity (40 MHz)	PNe	19	20	n/a	ke ⁻	Die			
Horizontal CCD Charge Transfer Efficiency	HCTE	0.99999	n/a	n/a		Design			
Vertical CCD Charge Transfer Efficiency	VCTE	0.99999	n/a	n/a		Design			
Photodiode Dark Current	l _{pd}	n/a	40	350	e/p/s	Die	40		
Photodiode Dark Current	l _{pd}	n/a	0.01	0.1	nA/cm ²	Die	40		
Vertical CCD Dark Current	l _{vd}	n/a	400	1711	e/p/s	Die	40		
Vertical CCD Dark Current	l _{vd}	n/a	0.12	0.5	nA/cm ²	Die	40		
Image Lag	Lag	n/a	<10	50	e ⁻	Design			
Antiblooming Factor	X _{ab}	100	300	n/a		Design			
Vertical Smear	Smr	n/a	80	75	DB	Design			
Sensor Read Noise (20MHz)	n _{e-T}		16		e ⁻ rms	Design			
Sensor Read Noise (40MHz)	n _{e-T}		20		e ⁻ rms	Design			
Dynamic Range (20MHz & 40 MHz)	DR		68 60		dB	Design		4	
Output Amplifier DC Offset	V _{odc}	4	8.5	14	V	Die			
Output Amplifier Bandwidth	F _{-3db}		140		MHz	Design			
Output Amplifier Impedance	R _{OUT}	100	130	200	Ohms	Die			
Output Amplifier Sensitivity	ΔV/ΔN		30		μV/e ⁻	Design			

KAI-2020M

Description	Symbol	Min.	Nom.	Max.	Units	Sampling Plan	Temperature(s) Tested At (°C)	Notes	Test
Peak Quantum Efficiency	QE_{max}	45	55	n/a	%	Design			
Peak Quantum Efficiency Wavelength	λ_{QE}	n/a	460	n/a	nm	Design			

KAI-2020CM

Description	Symbol	Min.	Nom.	Max.	Units	Sampling Plan	Temperature(s) Tested At (°C)	Notes	Test
Peak Quantum Efficiency Blue Green Red	QE_{max}		41 37 31	n/a	%	Design			
Peak Quantum Efficiency Wavelength Blue Green Red	λ_{QE}	n/a	460 540 620	n/a	nm	Design			

n/a : not applicable

Notes:

1. For KAI-2020CM, per color
2. Value is over the range of 10% to 90% of photodiode saturation.
3. Value is for the sensor operated without binning
4. Uses 20LOG(PNe/ n_{e-T})

Defect Definitions

Description	Definition	Maximum	Temperature(s) tested at (°C)	Notes	Test
Major dark field defective pixel	Defect >= 74 mV	20	27, 40	1	
Major bright field defective pixel	Defect >= 10 %			1	
Minor dark field defective pixel	Defect >= 38 mV	200	27, 40		
Dead pixel	Defect >= 80 %	2	27, 40	1	7
Saturated pixel	Defect >= 170 mV	5	27, 40	1	6
Cluster defect	A group of 2 to 10 contiguous major defective pixels, but no more than 2 adjacent defects horizontally	8	27, 40	1	
Column defect	A group of more than 10 contiguous major defective pixels along a single column	0	27,40	1	

Notes:

1. There will be at least two non-defective pixels separating any two major defective pixels.

Defect Map

The defect map supplied with each sensor is based upon testing at an ambient (27°C) temperature. Minor point defects are not included in the defect map. All pixels are referenced to pixel 1,1 in the defect map.

Quantum Efficiency

Monochrome Quantum Efficiency (with MAR coverglass)

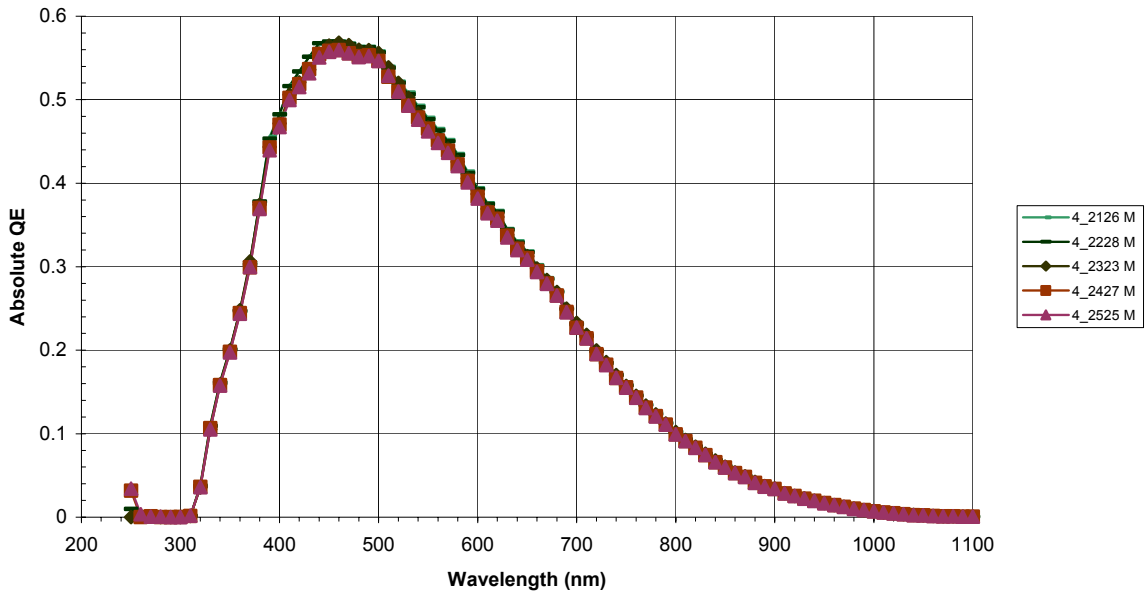


Figure 10 - Monochrome Quantum Efficiency

Color Quantum Efficiency

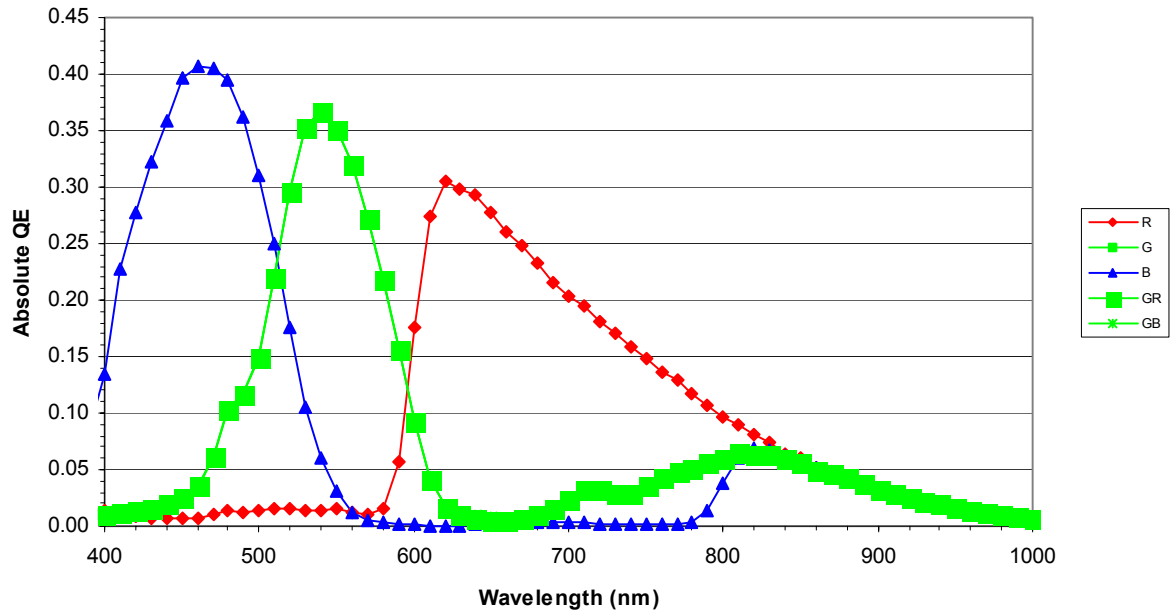


Figure 11 - Color Quantum Efficiency

Ultraviolet (UV) Quantum Efficiency

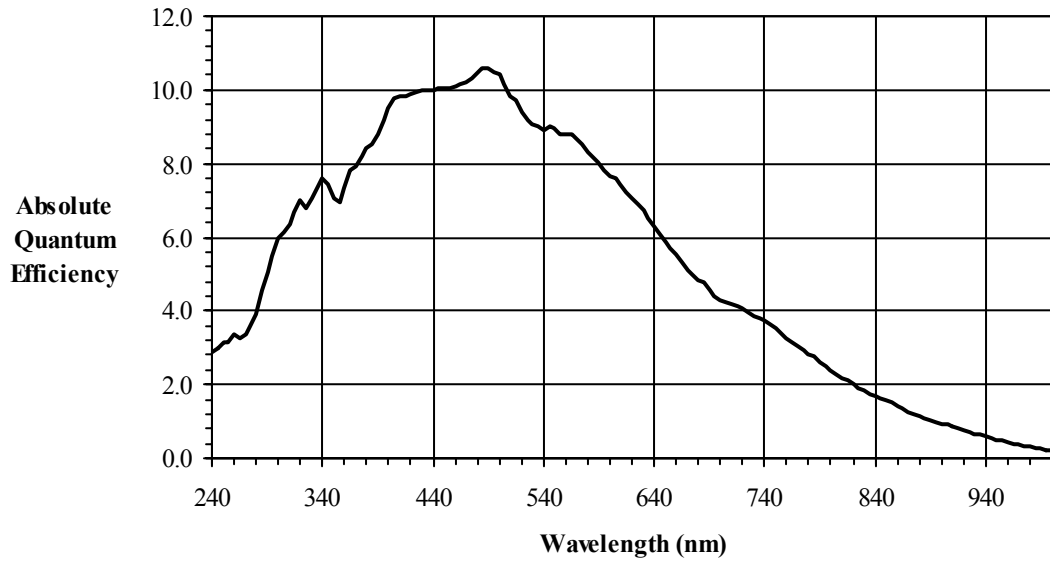


Figure 12 - Ultraviolet Quantum Efficiency (without coverglass)

Angular Quantum Efficiency

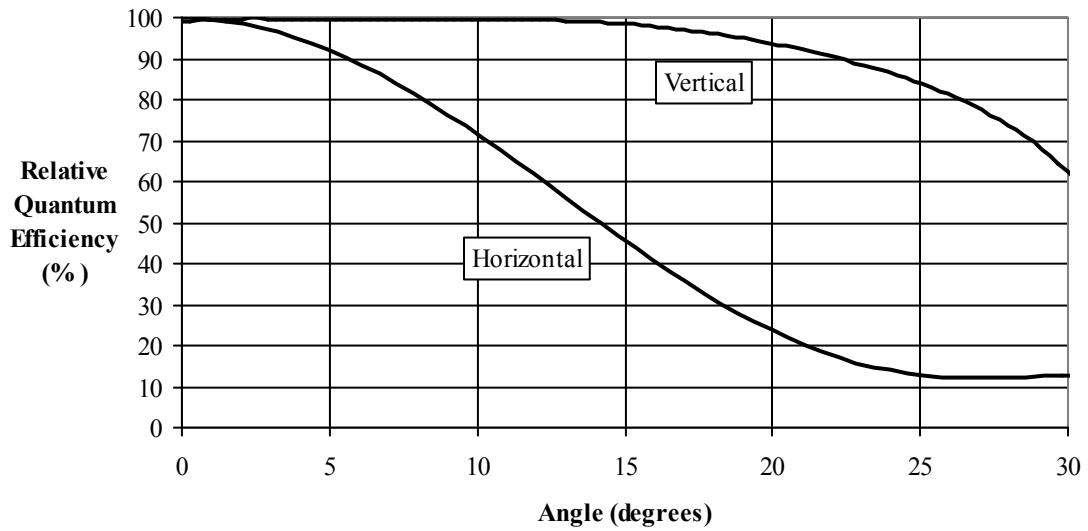


Figure 13 - Angular Quantum Efficiency

Dark Current versus Temperature

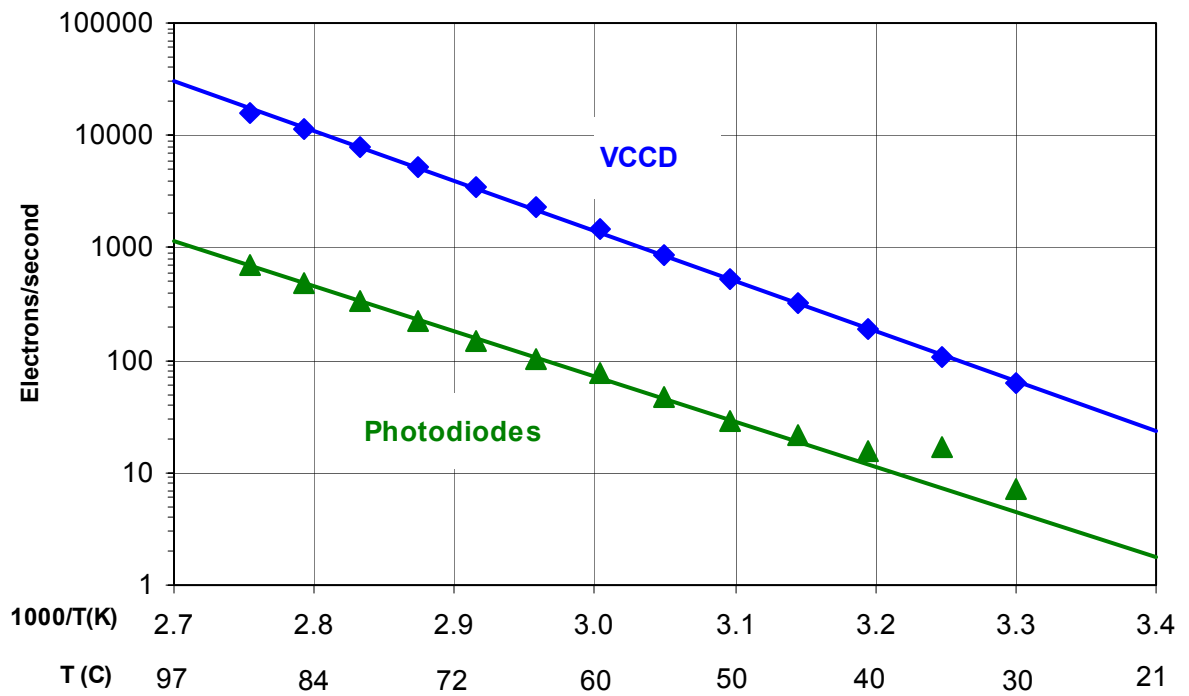


Figure 14 - Dark Current versus Temperature

TEST DEFINITIONS

Test Regions of Interest

Active Area ROI: Pixel 1, 1 to Pixel 1600,1200
Center 100 by 100 ROI: Pixel 750,550 to Pixel 849, 649

Only the active pixels are used for performance and defect tests.

OverClocking

The test system timing is configured such that the sensor is overlocked in both the vertical and horizontal directions. See Figure 15 for a pictorial representation of the regions.

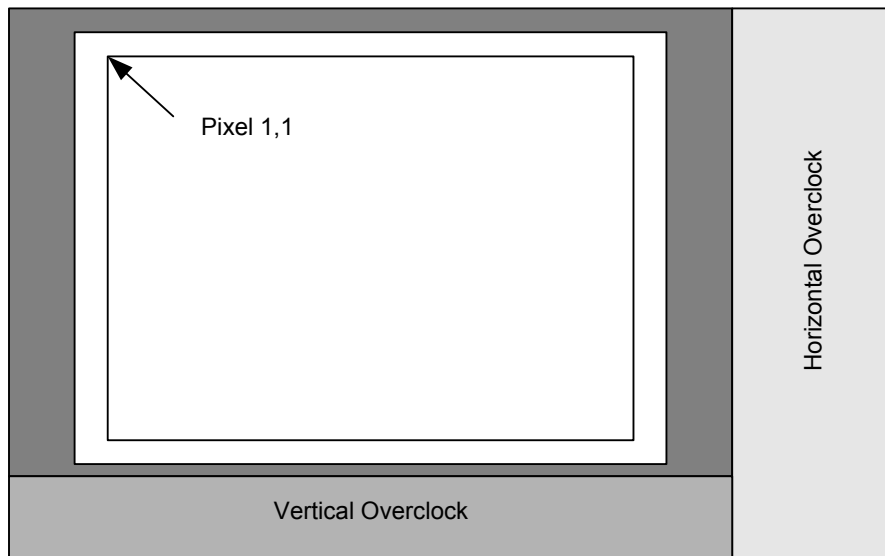


Figure 15 - Overclock Regions of Interest

Tests

1. Dark Field Center Uniformity

This test is performed under dark field conditions. Only the center 100 by 100 pixels of the sensor are used for this test - pixel (750,550) to pixel (849,649).

$$\text{Dark field center uniformity} = \text{Standard Deviation of center 100 by 100 pixels in electrons} * \left(\frac{\text{DPS Integration time}}{\text{Actual integration time used}} \right)$$

Units: e⁻ rms

DPS integration time: Device Performance Specification Integration Time = 33 msec

2. Dark Field Global Uniformity

This test is performed under dark field conditions. The sensor is partitioned into 192 sub regions of interest, each of which is 100 by 100 pixels in size. See Figure 16 - Test Sub Regions of Interest. The average signal level of each of the 192 sub regions of interest is calculated. The signal level of each of the sub regions of interest is calculated using the following formula:

Signal of ROI[i] = (ROI Average in ADU – Horizontal overclock average in ADU) * mV per count

Where i = 1 to 192. During this calculation on the 192 sub regions of interest, the maximum and minimum signal levels are found.

The dark field global uniformity is then calculated as the maximum signal found minus the minimum signal level found.

Units: mVpp (millivolts peak to peak)

3. Global Uniformity

This test is performed with the imager illuminated to a level such that the output is at 80% of saturation (approximately 32,000 electrons). Prior to this test being performed the substrate voltage has been set such that the charge capacity of the sensor is 40,000 electrons. Global uniformity is defined as

$$\text{Global Uniformity} = 100 * \left(\frac{\text{Active Area Standard Deviation}}{\text{Active Area Signal}} \right)$$

Units: %rms

Active Area Signal = Active Area Average – Horizontal Overclock Average

4. Global Peak to Peak Uniformity

This test is performed with the imager illuminated to a level such that the output is at 80% of saturation (approximately 32,000 electrons). Prior to this test being performed the substrate voltage has been set such that the charge capacity of the sensor is 40,000 electrons. The sensor is partitioned into 192 sub regions of interest, each of which is 100 by 100 pixels in size. See Figure 16 - Test Sub Regions of Interest. The average signal level of each of the 192 sub regions of interest (ROI) is calculated. The signal level of each of the sub regions of interest is calculated using the following formula:

Signal of ROI[i] = (ROI Average in ADU – Horizontal overclock average in ADU) * mV per count
 Where i = 1 to 192. During this calculation on the 192 sub regions of interest, the maximum and minimum signal levels are found.

The global peak to peak uniformity is then calculated as:

$$\text{Global Uniformity} = \frac{\text{Maximum Signal} - \text{Minimum Signal}}{\text{Active Area Signal}}$$

Units: %pp

5. Center Uniformity

This test is performed with the imager illuminated to a level such that the output is at 80% of saturation (approximately 32,000 electrons). Prior to this test being performed the substrate voltage has been set such that the charge capacity of the sensor is 40,000 electrons. Defects are excluded for the calculation of this test. This test is performed on the center 100 by 100 pixels (See Figure 16 - Test Sub Regions of Interest) of the sensor. Center uniformity is defined as:

$$\text{Center ROI Uniformity} = 100 * \left(\frac{\text{Center ROI Standard Deviation}}{\text{Center ROI Signal}} \right)$$

Units: %rms

Center ROI Signal = Center ROI Average – Horizontal Overclock Average

6. Dark field defect test

This test is performed under dark field conditions. The sensor is partitioned into 192 sub regions of interest, each of which is 100 by 100 pixels in size. See Figure 16 - Test Sub Regions of Interest. In each region of interest, the median value of all pixels is found. For each region of interest, a pixel is marked defective if it is greater than or equal to the median value of that region of interest plus the defect threshold specified in “Defect Definitions” section.

7. Bright field defect test

This test is performed with the imager illuminated to a level such that the output is at 80% of saturation (approximately 32,000 electrons). Prior to this test being performed the substrate voltage has been set such that the charge capacity of the sensor is 40,000 electrons. The average signal level of all active pixels is found. The bright and dark thresholds are set as:

Dark defect threshold = Active Area Signal * threshold
 Bright defect threshold = Active Area Signal * threshold

The sensor is then partitioned into 192 sub regions of interest, each of which is 100 by 100 pixels in size. See Figure 16 - Test Sub Regions of Interest. In each region of interest, the average value of all pixels is found. For each region of interest, a pixel is marked defective if it is greater than or equal to the median value of that region of interest plus the bright threshold specified or if it is less than or equal to the median value of that region of interest minus the dark threshold specified.

Example for major bright field defective pixels:

- Average value of all active pixels is found to be 960 mV (32,000 electrons).
- Dark defect threshold: 960mV * 10% = 96 mV
- Bright defect threshold: 960mV * 10% = 96 mV
- Region of interest #1 selected. This region of interest is pixels 1,1 to pixels 100,100.
 - Median of this region of interest is found to be 960 mV.
 - Any pixel in this region of interest that is >= (960+96 mV) 1056 mV in intensity will be marked defective.
 - Any pixel in this region of interest that is <= (960-96 mV) 864 mV in intensity will be marked defective.
- All remaining 191 sub regions of interest are analyzed for defective pixels in the same manner.

Test Sub Regions of Interest

Pixel (1,1)															
1	2	3	4	5	6	7	8	9	10	11	12	13	14	15	16
17	18	19	20	21	22	23	24	25	26	27	28	29	30	31	32
33	34	35	36	37	38	39	40	41	42	43	44	45	46	47	48
49	50	51	52	53	54	55	56	57	58	59	60	61	62	63	64
65	66	67	68	69	70	71	72	73	74	75	76	77	78	79	80
81	82	83	84	85	86	87	88	89	90	91	92	93	94	95	96
97	98	99	100	101	102	103	104	105	106	107	108	109	110	111	112
113	114	115	116	117	118	119	120	121	122	123	124	125	126	127	128
129	130	131	132	133	134	135	136	137	138	139	140	141	142	143	144
145	146	147	148	149	150	151	152	153	154	155	156	157	158	159	160
161	162	163	164	165	166	167	168	169	170	171	172	173	174	175	176
177	178	179	180	181	182	183	184	185	186	187	188	189	190	191	192
Pixel (1600,1200)															

Figure 16 - Test Sub Regions of Interest

OPERATION

Maximum Ratings

Description	Symbol	Minimum	Maximum	Units	Notes
Temperature	T	-50	70	°C	1
Humidity	RH	5	90	%	2
Output Bias Current	I _{out}	0.0	10.0	mA	3
Off-chip Load	C _L		10	pF	4

Notes:

- Noise performance will degrade at higher temperatures.
- T=25°C. Excessive humidity will degrade MTTF.
- Total for both outputs. Current is 5 mA for each output. Note that the current bias affects the amplifier bandwidth.
- With total output load capacitance of C_L = 10pF between the outputs and AC ground.
- Absolute maximum rating is defined as a level or condition that should not be exceeded at any time per the description. If the level or the condition is exceeded, the device will be degraded and may be damaged.

Maximum Voltage Ratings Between Pins

Description	Minimum	Maximum	Units	Notes
RL, RR, H1SL, H1SR, H2SL, H2SR, H1BL, H1BR, H2BL, H2BR, OGL, OGR to ESD	0	17	V	
Pin to Pin with ESD Protection	-17	17	V	1
VDDL, VDDR to GND	0	25	V	

Notes:

- Pins with ESD protection are: RL, RR, H1SL, H1SR, H2SL, H2SR, H1BL, H2BL, H1BR, H2BR, OGL and OGR.

Caution: This device contains limited protection against Electrostatic Discharge (ESD) Devices should be handled in accordance with strict ESD procedures for Class 0 devices (JESD22 Human Body Model) or Class A (Machine Model). Refer to Application Note MTD/PS-0224, “Electrostatic Discharge Control”

Caution: Improper cleaning of the cover glass may damage these devices. Refer to Application Note MTD/PS-0237, “Cover Glass Cleaning for Image Sensors”

Caution: Each sensor is shipped with a protective tape on the cover glass. Care should be used when removing the tape to prevent ESD damage. The tape should be removed when the sensor is in the shipping container or when the sensor in a camera.

DC Bias Operating Conditions (for $\leq 40,000$ electrons)

Description	Symbol	Minimum	Nominal	Maximum	Units	Maximum DC Current (mA)	Notes
Output Gate	OG	-2.5	-2.0	-1.5	V	1 μ A	4
Reset Drain	RD	11.5	12.0	12.5	V	1 μ A	5
Output Amplifier Supply	VDD	14.5	15.0	15.5	V	1 mA	1
Ground	GND		0.0		V		
Substrate	SUB	8.0	Vab	17.0	V		2
ESD Protection	ESD	-8.0	-7.0	-6.0	V		3
Output Amplifier Return	VSS	0.0	0.7	1.0	V		

Notes:

- One output, unloaded
- The operating value of the substrate voltage, VAB, will be marked on the shipping container for each device. The shipping container will be marked with two VAB voltages. One VAB will be for a 600mV charge capacity (for operation of the horizontal clock frequencies greater than 20 MHz) and the other VAB will be for 1200mV charge capacity (for horizontal clock frequencies at or below 20MHz).
- VESD must be at least 1 Volt more negative than H1L, H2L and RL during sensors operation AND during camera power turn on.
- Output gate voltage must be set to -3V for 40,000-80,000 electrons output in summed interlaced or binning modes.
- Reset Drain voltage must be set to 13V for 80,000 electrons output in summed interlaced or binning modes.

AC Operating Conditions

Clock Levels

Description	Symbol	Minimum	Nominal	Maximum	Units	Notes
Vertical CCD Clock High	V2H	7.5	8.0	8.5	V	
Vertical CCD Clocks Midlevel	V1M, V2M	-0.2	0.0	0.2	V	
Vertical CCD Clocks Low	V1L, V2L	-9.5	-9.0	-8.5	V	
Horizontal CCD Clocks Amplitude	H1H, H2H	4.5	5.0	5.5	V	
Horizontal CCD Clocks Low	H1L, H2L	-5.0	-4.0	-3.8	V	
Reset Clock Amplitude	RH		5.0		V	1
Reset Clock Low	RL	-4.0	-3.5	-3.0	V	2
Electronic Shutter Voltage	Vshutter	44	48	52	V	
Fast Dump High	FDH	4.8	5.0	5.2	V	
Fast Dump Low	FDL	-9.5	-9	-8	V	

Notes:

- Reset amplitude must be set to 7.0 V for 40,000 – 80,000 electrons output in summed interlaced or binning modes.

Clock Line Capacitances

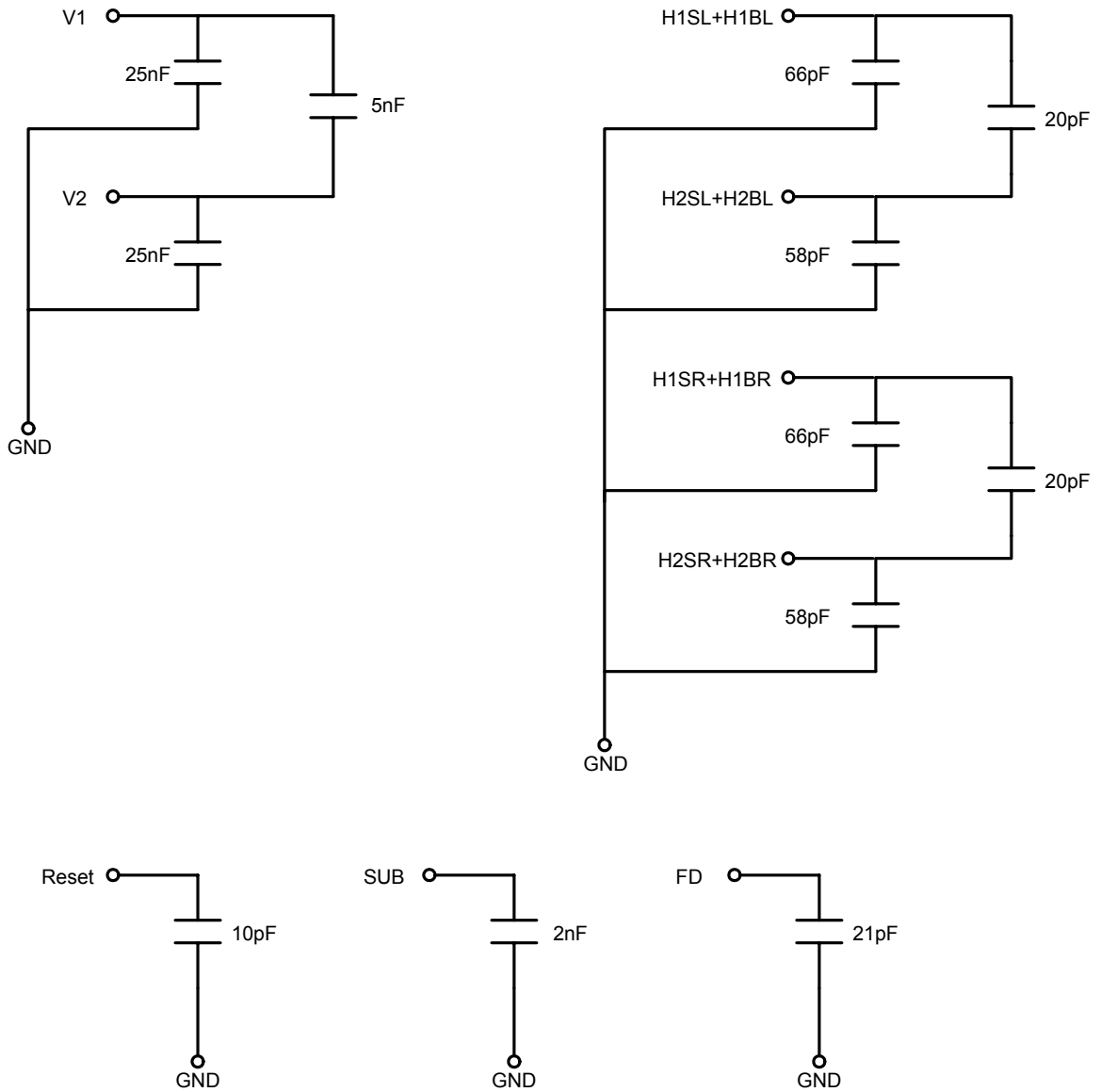


Figure 17 - Clock Line Capacitances

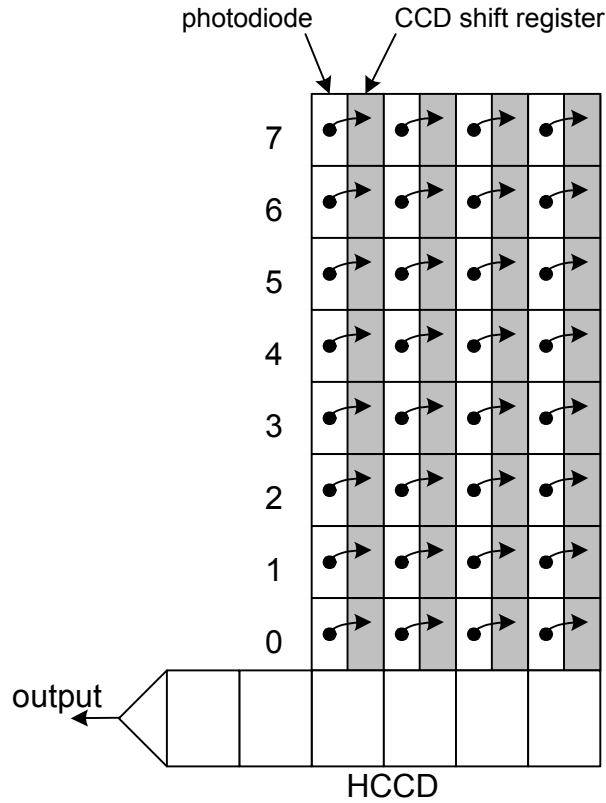
Timing Requirements

Description	Symbol	Minimum	Nominal	Maximum	Units	Notes
HCCD Delay	T_{HD}	1.3	1.5	10.0	μs	
VCCD Transfer time	T_{VCCD}	1.3	1.5	20.0	μs	
Photodiode Transfer time	T_{V3rd}	8.0	12.0	15.0	μs	
VCCD Pedestal time	T_{3P}	20.0	25.0	50.0	μs	
VCCD Delay	T_{3D}	15.0	20.0	100.0	μs	
Reset Pulse time	T_R	5.0	10.0		ns	
Shutter Pulse time	T_S	3.0	5.0	10.0	μs	
Shutter Pulse delay	T_{SD}	1.0	1.6	10.0	μs	
HCCD Clock Period	T_H	25.0	50.0	200.0	ns	
VCCD rise/fall time	T_{VR}	0.0	0.1	1.0	μs	
Fast Dump Gate delay	T_{FD}	0.0		0.5	μs	
Vertical Clock Edge Alignment	T_{VE}	0.0		100.0	ns	

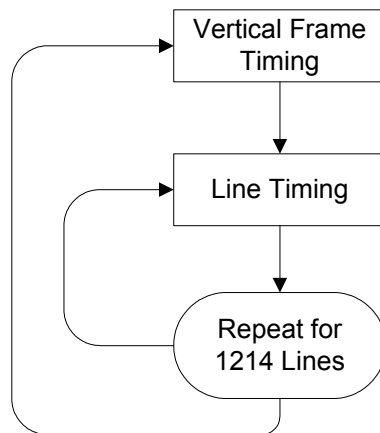
Notes:

Timing Modes

Progressive Scan



In progressive scan read out every pixel in the image sensor is read out simultaneously. Each charge packet is transferred from the photodiode to the neighboring vertical CCD shift register simultaneously. The maximum useful signal output is limited by the photodiode charge capacity to 40,000 electrons.



Frame Timing

Frame Timing without Binning - Progressive Scan

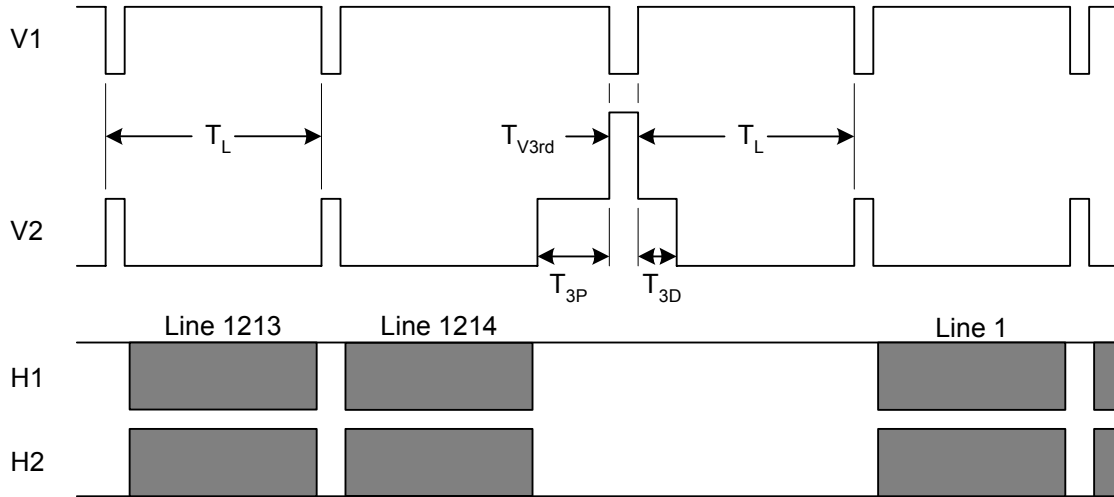


Figure 18 - Framing Timing without Binning

Frame Timing for Vertical Binning by 2 - Progressive Scan

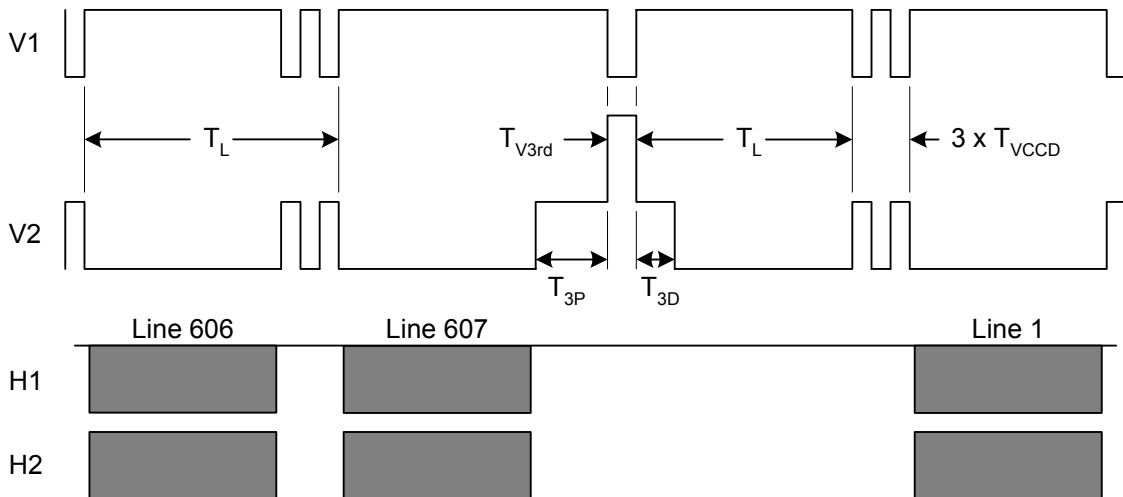


Figure 19 - Frame Timing for Vertical Binning by 2

Frame Timing Edge Alignment

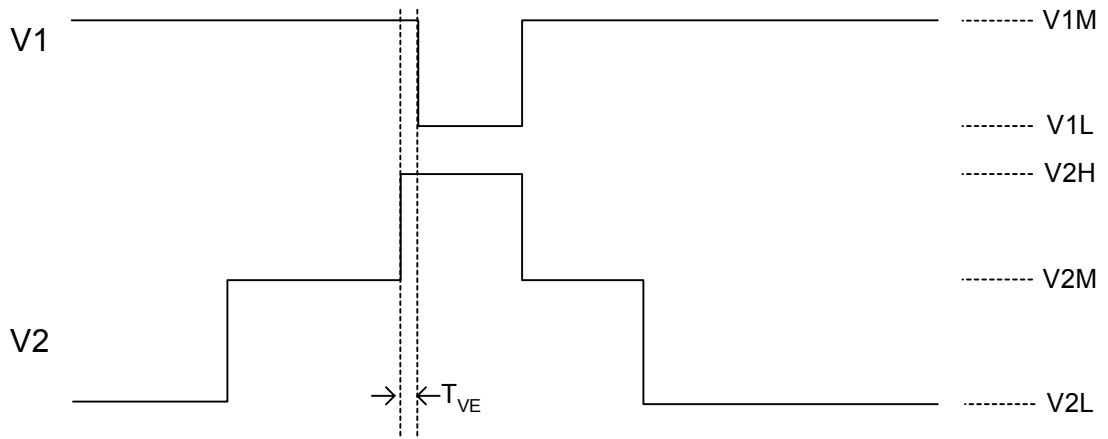


Figure 20 - Frame Timing Edge Alignment

Line Timing

Line Timing Single Output – Progressive Scan

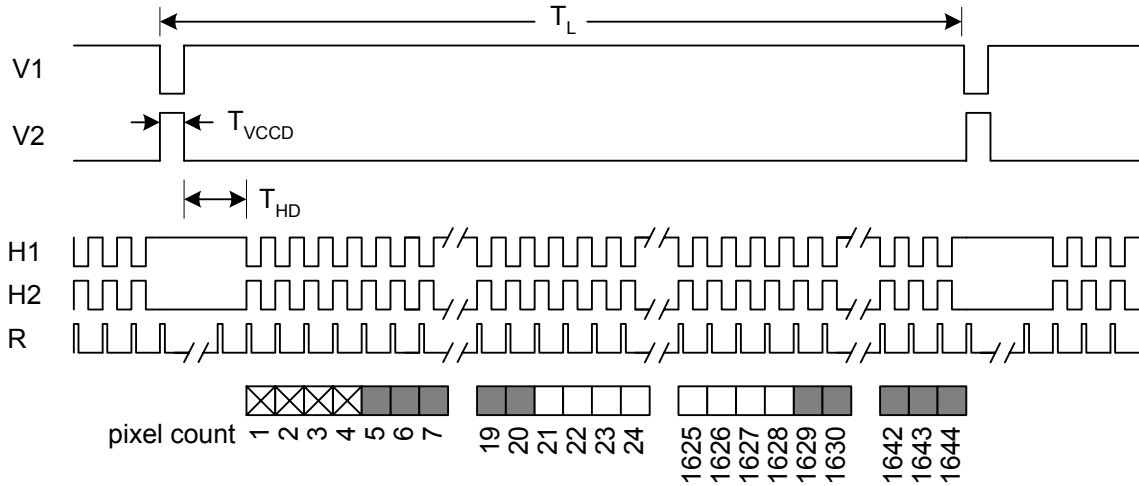


Figure 21 - Line Timing Single Output

Line Timing Dual Output – Progressive Scan

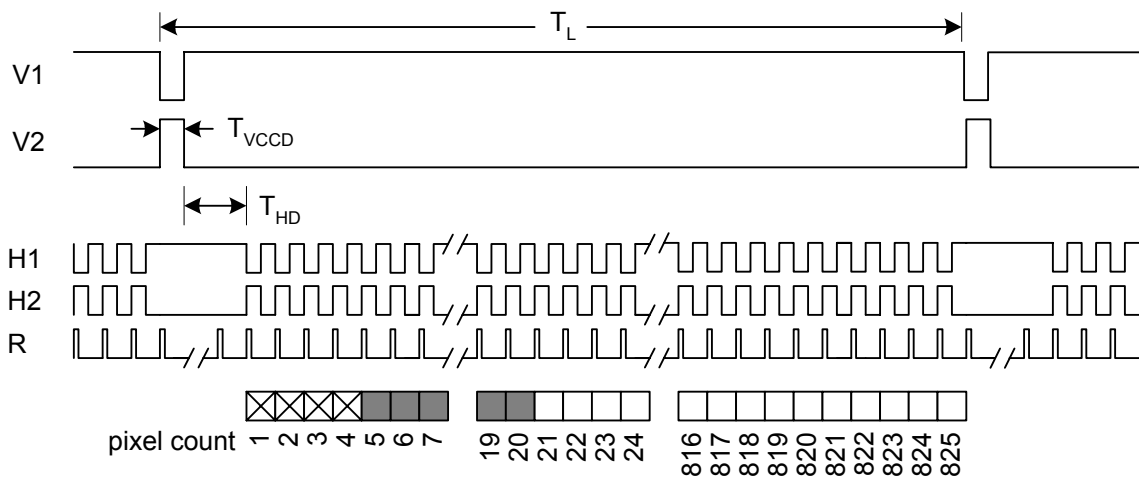


Figure 22 - Line Timing Dual Output

Line Timing Vertical Binning by 2 – Progressive Scan

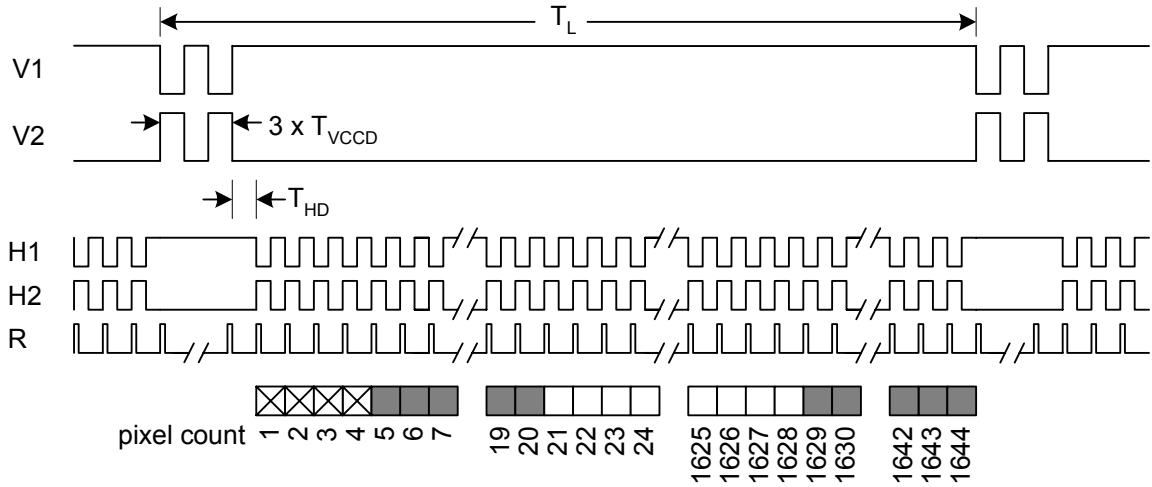


Figure 23 - Line Timing Vertical Binning by 2

Line Timing Detail – Progressive Scan

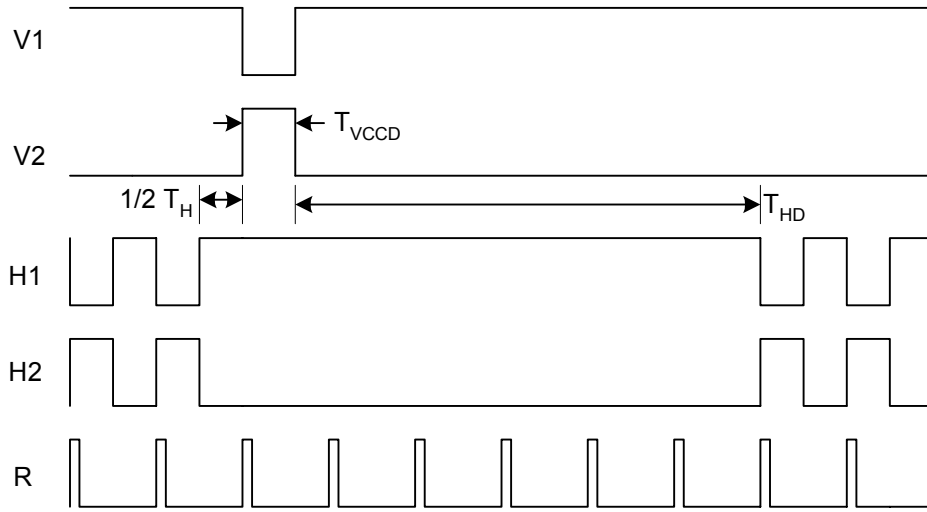


Figure 24 - Line Timing Detail

Line Timing Binning by 2 Detail – Progressive Scan

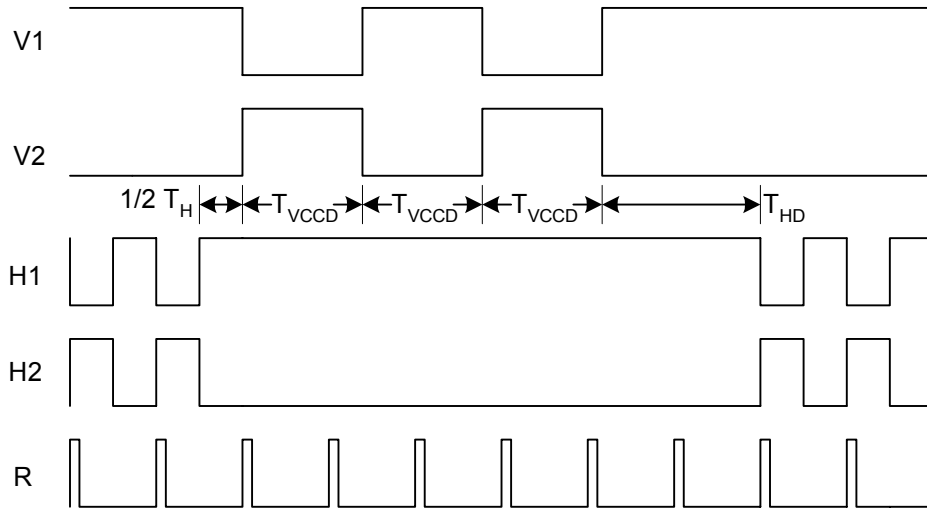


Figure 25 - Line Timing by 2 Detail

Line Timing Edge Alignment

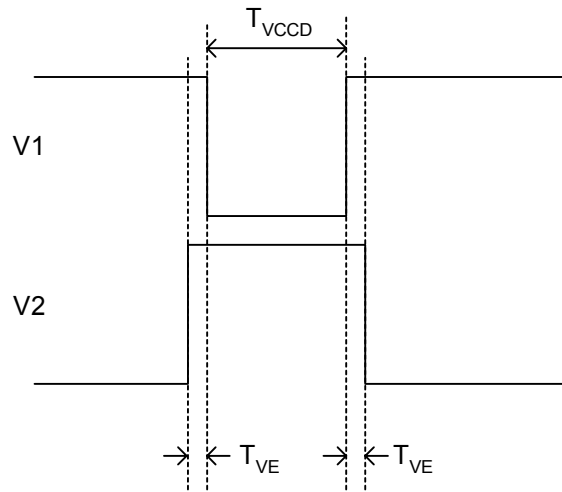


Figure 26 - Line Timing Edge Alignment

Pixel Timing

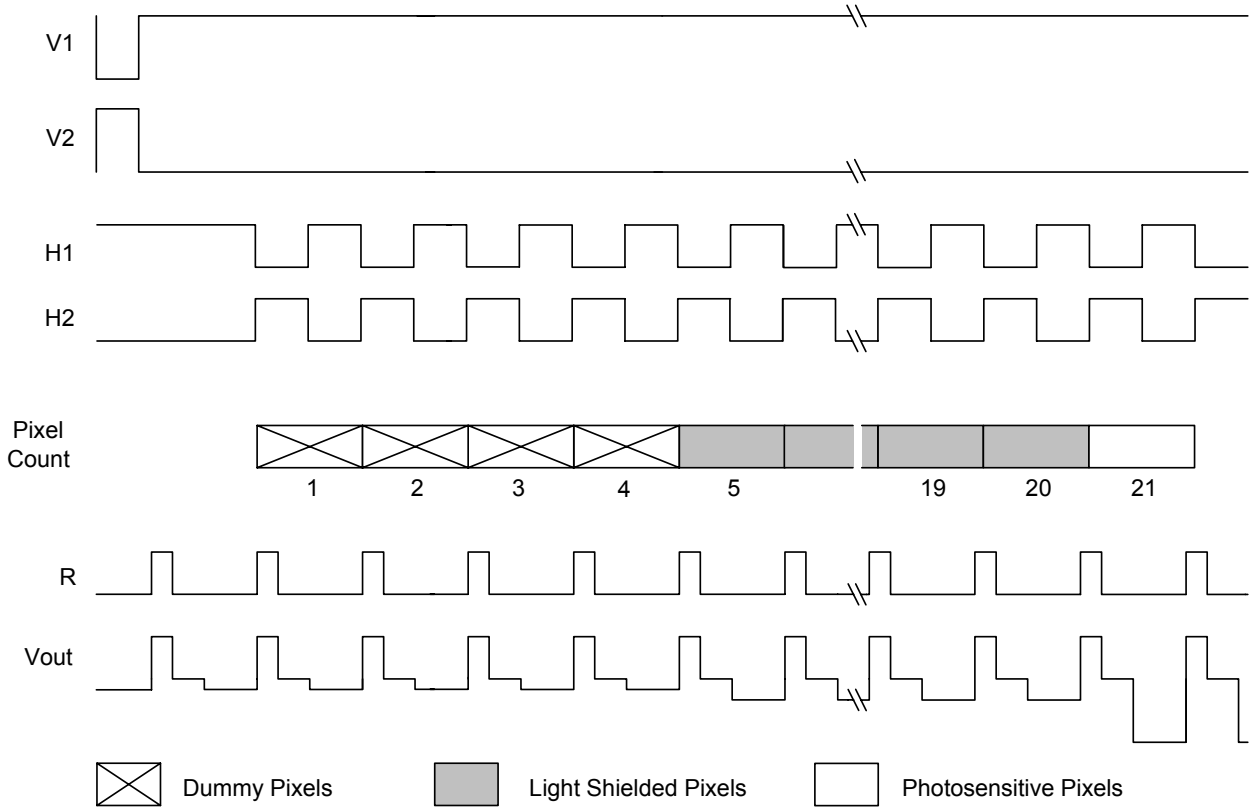


Figure 27 - Pixel Timing

Pixel Timing Detail

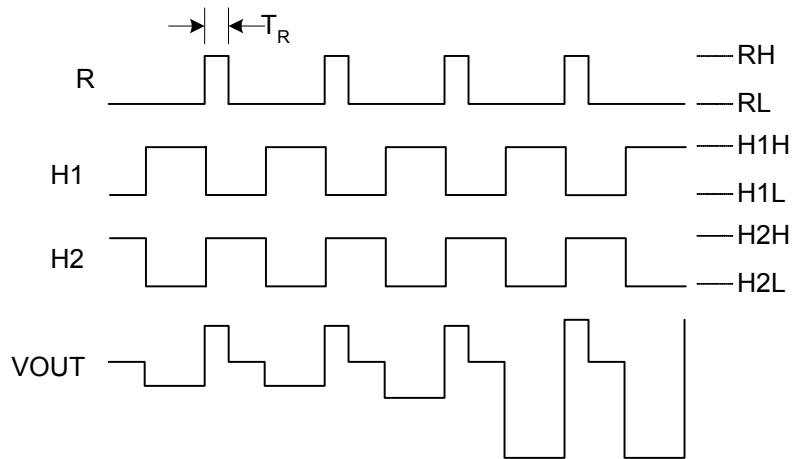


Figure 28 - Pixel Timing Detail

Fast Line Dump Timing

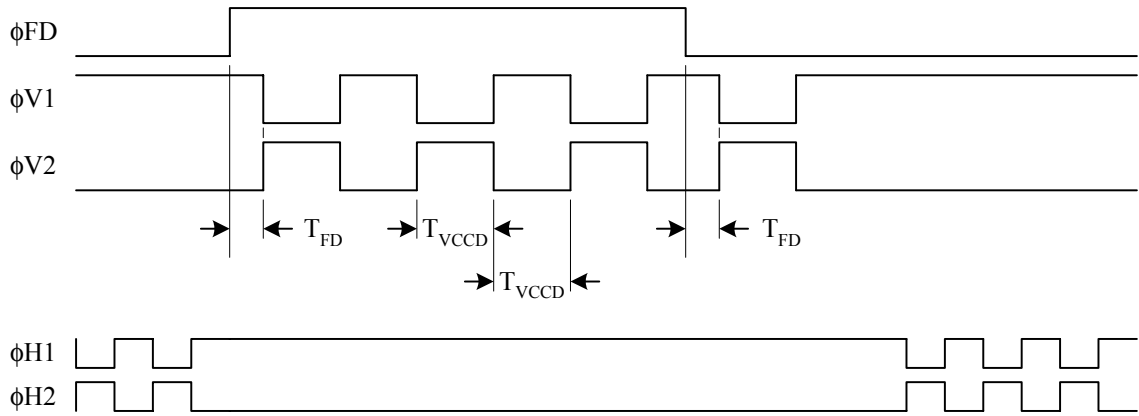


Figure 29 - Fast Line Dump Timing

Electronic Shutter

Electronic Shutter Line Timing

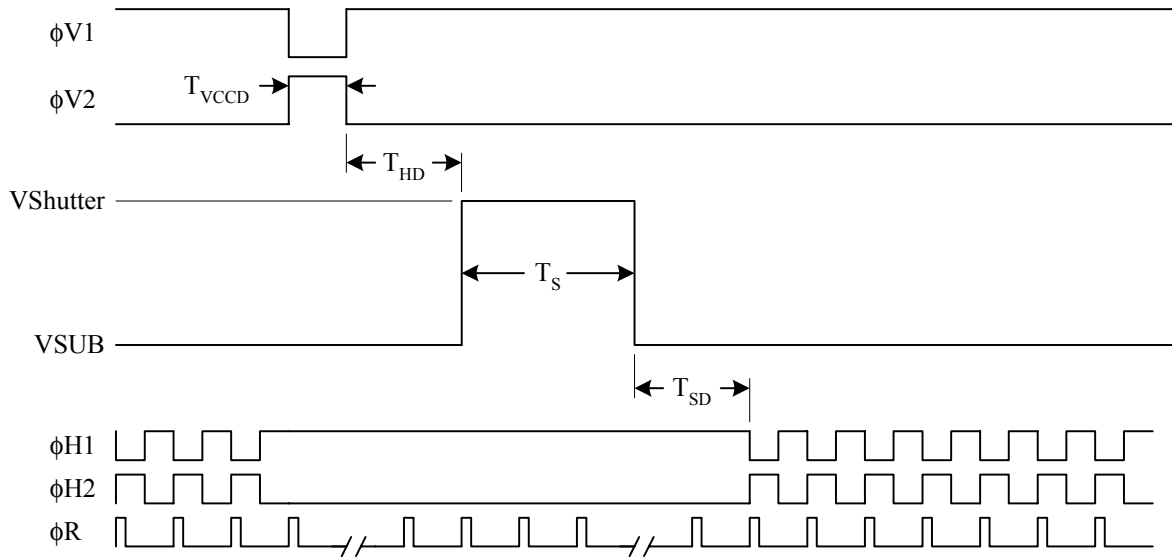


Figure 30 - Electronic Shutter Line Timing

Electronic Shutter – Integration Time Definition

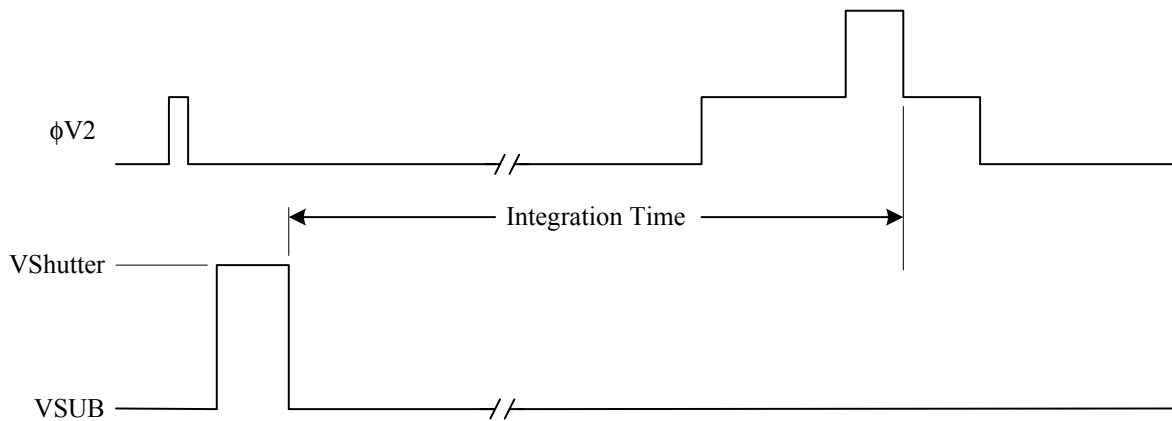


Figure 31 - Integration Time Definition

Electronic Shutter Description

The voltage on the substrate (SUB) determines the charge capacity of the photodiodes. When SUB is 8 volts the photodiodes will be at their maximum charge capacity. Increasing VSUB above 8 volts decreases the charge capacity of the photodiodes until 48 volts when the photodiodes have a charge capacity of zero electrons. Therefore, a short pulse on SUB, with a peak amplitude greater than 48 volts, empties all photodiodes and provides the electronic shuttering action.

It may appear the optimal substrate voltage setting is 8 volts to obtain the maximum charge capacity and dynamic range. While setting VSUB to 8 volts will provide the maximum dynamic range, it will also provide the minimum antiblooming protection.

The KAI-2020 VCCD has a charge capacity of 50,000 electrons ($50ke^-$). If the SUB voltage is set such that the photodiode holds more than $50ke^-$, then when the charge is transferred from a full photodiode to VCCD, the VCCD will overflow. This overflow condition manifests itself in the image by making bright spots appear elongated in the vertical direction. The size increase of a bright spot is called blooming when the spot doubles in size. The blooming can be eliminated by increasing the voltage on SUB to lower the charge capacity of the photodiode. This ensures the VCCD charge capacity is greater than the photodiode capacity. There are cases where an extremely bright spot will still cause blooming in the VCCD. Normally, when the photodiode is full, any additional electrons generated by photons will spill out of the photodiode. The excess electrons are drained harmlessly out to the substrate. There is a maximum rate at which the electrons can be drained to the substrate. If that maximum rate is exceeded, (for example, by a very bright light source) then it is possible for the total amount of charge in the photodiode to exceed the VCCD capacity. This results in blooming. The amount of antiblooming protection also decreases when the integration time is decreased. There is a compromise between photodiode dynamic range (controlled by VSUB) and the amount of antiblooming protection. A low VSUB voltage provides the maximum dynamic range and minimum (or no) antiblooming protection. A high VSUB voltage provides lower dynamic range and maximum antiblooming protection. The optimal setting of VSUB is written on the container in

which each KAI-2020 is shipped. The given VSUB voltage for each sensor is selected to provide antiblooming protection for bright spots at least 100 times saturation, while maintaining at least $40ke^-$ of dynamic range.

The electronic shutter provides a method of precisely controlling the image exposure time without any mechanical components. If an integration time of T_{INT} is desired, then the substrate voltage of the sensor is pulsed to at least 40 volts T_{INT} seconds before the photodiode to VCCD transfer pulse on V2. Use of the electronic shutter does not have to wait until the previously acquired image has been completely read out of the VCCD.

Large Signal Output

When the image sensor is operated in the binned or summed interlaced modes there will be more than 20,000 electrons in the output signal. The image sensor is designed with a $30\mu V/e$ charge to voltage conversion on the output. This means a full signal of 40,000 electrons will produce a 600mV change on the output amplifier. The output amplifier was designed to handle an output swing of 600mV at a pixel rate of 40MHz. If 40,000 electron charge packets are generated in the binned or summed interlaced modes then the output amplifier output will have to swing 1200mV. The output amplifier does not have enough bandwidth (slew rate) to handle 1200 mV at 40MHz. Hence, the pixel rate will have to be reduced to 20MHz if the full dynamic range of 40,000 electrons is desired.

The charge handling capacity of the output amplifier is also set by the reset clock voltage levels. The reset clock driver circuit is very simple if an amplitude of 5V is used. But the 5V amplitude restricts the output amplifier charge capacity to 20,000 electrons. If the full dynamic range of 40,000 electrons is desired then the reset clock amplitude will have to be increased to 7V. If you only want a maximum signal of 20,000 electrons in binned or summed interlaced modes, then a 40 MHz pixel rate with a 5V reset clock may be used. The output of the amplifier will be unpredictable above 20,000 electrons so be sure to set the maximum input signal level of your analog to digital converter to the equivalent of 20,000 electrons (600mV).

STORAGE AND HANDLING

Storage Conditions

Description	Symbol	Minimum	Maximum	Units	Notes
Temperature	T	-55	80	°C	1
Humidity	RH	5	90	%	2

Notes:

1. Long-term exposure toward the maximum temperature will accelerate color filter degradation.
2. T=25°C. Excessive humidity will degrade MTTF.

Cover Glass Care and Cleanliness

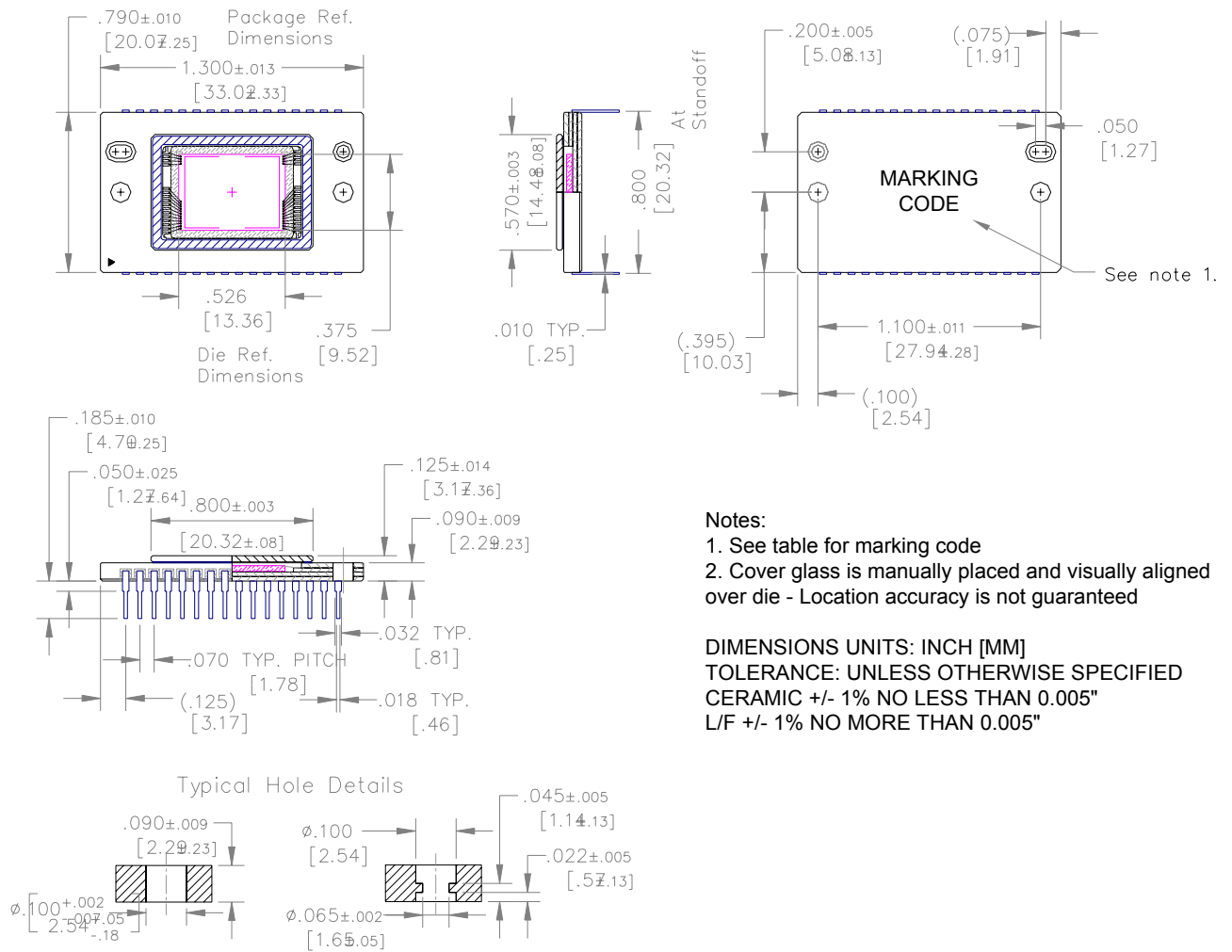
1. The cover glass is highly susceptible to particles and other contamination. Perform all assembly operations in a clean environment.
2. Touching the cover glass must be avoided.
3. Improper cleaning of the cover glass may damage these devices. Refer to Application Note MTD/PS-0237 “Cover Glass Cleaning for Image Sensors”

Soldering Recommendations

1. The soldering iron tip temperature is not to exceed 370°C. Failure to do so may alter device performance and reliability.
2. Flow soldering method is not recommended. Solder dipping can cause damage to the glass and harm the imaging capability of the device. Recommended method is by partial heating. Kodak recommends the use of a grounded 30W soldering iron. Heat each pin for less than 2 seconds duration.

MECHANICAL DRAWINGS

Package



- Notes:
1. See table for marking code
 2. Cover glass is manually placed and visually aligned over die - Location accuracy is not guaranteed

DIMENSIONS UNITS: INCH [MM]
 TOLERANCE: UNLESS OTHERWISE SPECIFIED
 CERAMIC +/- 1% NO LESS THAN 0.005"
 L/F +/- 1% NO MORE THAN 0.005"

Figure 32 - Package Drawing

Note 1:

Configuration	Marking Code
Monochrome	KAI-2020 SN
Monochrome with Lenslets	KAI-2020M SN
Color with Lenslets	KAI-2020CM SN

Die to Package Alignment

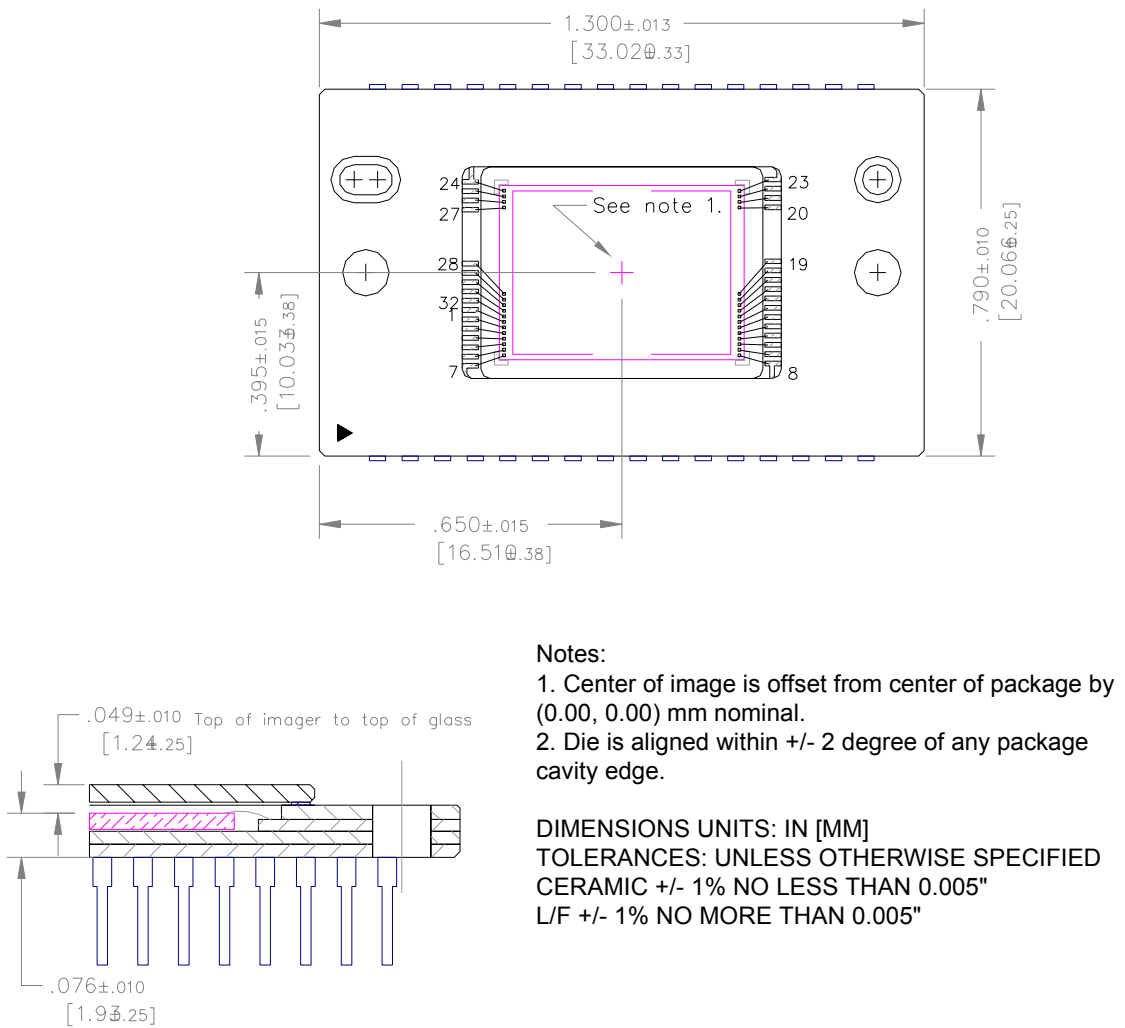
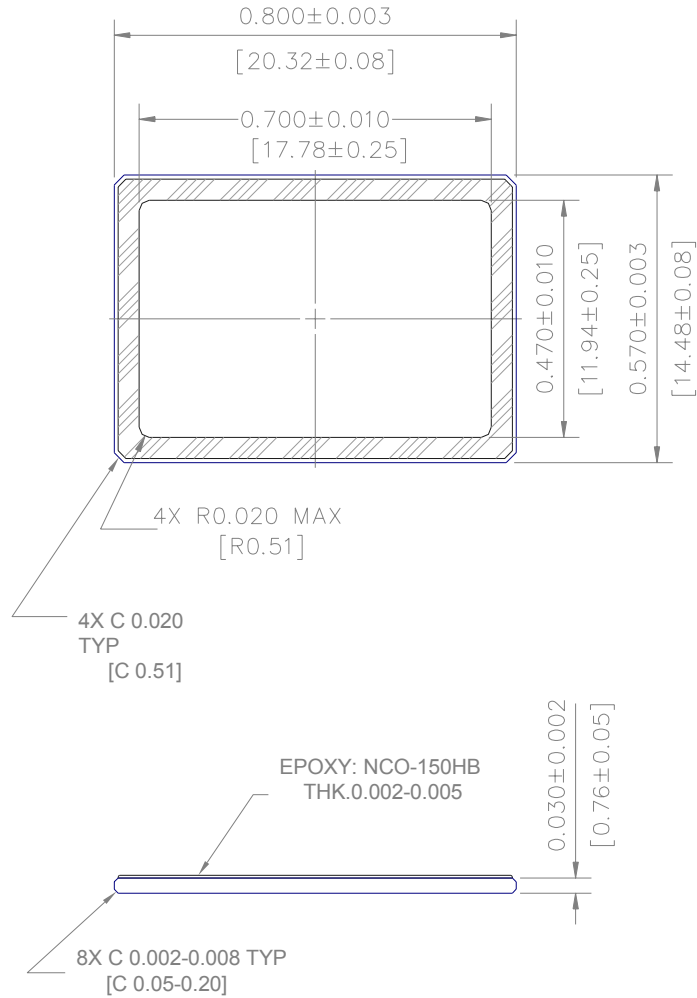


Figure 33 - Die to Package Alignment

Glass



NOTES:

1. MATERIALS: SUBSTRATE = SCHOTT D-263
EPOXY = NCO-150HB
THK = 0.002 - 0.005
2. DUST/SCRATCH COUNT = 10 MICRON MAX
3. DOUBLE SIDED AR COATING REFLECTANCE:
420 - 435 nm < 2.0%
435 - 630 nm < 0.8%
630 - 680 nm < 2.0%

UNITS: IN [MM]

TOLERANCE: UNLESS OTHERWISE SPECIFIED
+/- 1% NO LESS THAN 0.005"

Figure 34 - Glass Drawing

Glass Transmission

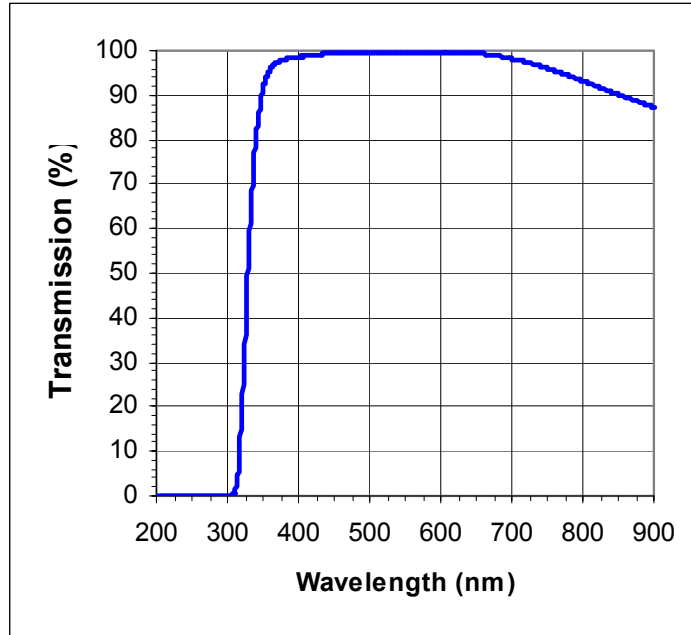


Figure 35 – MAR Glass Transmission

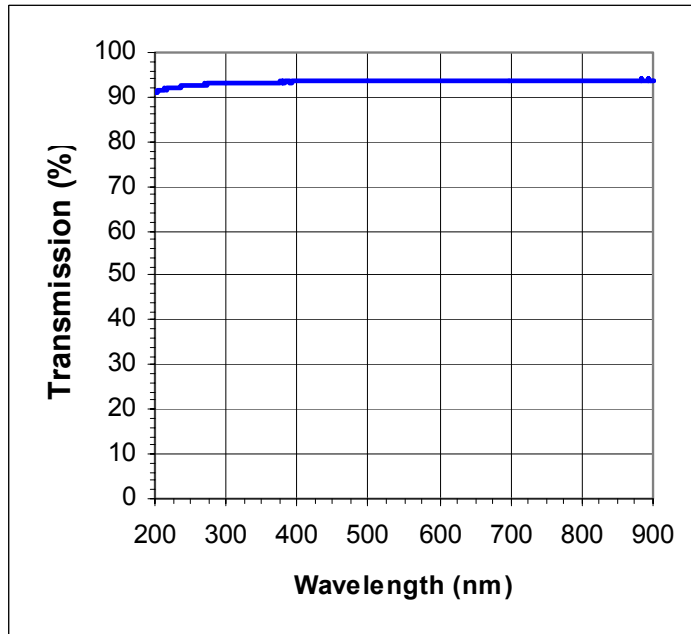


Figure 36 – Quartz Glass Transmission

QUALITY ASSURANCE AND RELIABILITY

Quality Strategy: All image sensors will conform to the specifications stated in this document. This will be accomplished through a combination of statistical process control and inspection at key points of the production process. Typical specification limits are not guaranteed but provided as a design target. For further information refer to ISS Application Note MTD/PS-0292, Quality and Reliability.

Replacement: All devices are warranted against failure in accordance with the terms of Terms of Sale. This does not include failure due to mechanical and electrical causes defined as the liability of the customer below.

Liability of the Supplier: A reject is defined as an image sensor that does not meet all of the specifications in this document upon receipt by the customer.

Liability of the Customer: Damage from mechanical (scratches or breakage), electrostatic discharge (ESD) damage, or other electrical misuse of the device beyond the stated absolute maximum ratings, which occurred after receipt of the sensor by the customer, shall be the responsibility of the customer.

ESD Precautions: Devices are shipped in static-safe containers and should only be handled at static-safe workstations. See ISS Application Note MTD/PS-0224, Electrostatic Discharge Control, for handling recommendations.

Reliability: Information concerning the quality assurance and reliability testing procedures and results are available from the Image Sensor Solutions and can be supplied upon request. For further information refer to ISS Application Note MTD/PS-0292, Quality and Reliability.

Test Data Retention: Image sensors shall have an identifying number traceable to a test data file. Test data shall be kept for a period of 2 years after date of delivery.

Mechanical: The device assembly drawing is provided as a reference. The device will conform to the published package tolerances.

ORDERING INFORMATION**Available Part Configurations**

Type	Description	Glass Configuration
KAI-2020	Monochrome without microlens	Taped MAR Glass or Sealed Quartz Glass
KAI-2020M	Monochrome with microlens	Sealed MAR Glass
KAI-2020CM	Color with microlens	Sealed MAR Glass

Please contact Image Sensor Solutions for available part numbers.
MAR Glass: Anti-reflective coating, both sides of glass.

Address all inquiries and purchase orders to:

Image Sensor Solutions
Eastman Kodak Company
Rochester, New York 14650-2010
Phone: (585) 722-4385
Fax: (585) 477-4947
E-mail: imagers@kodak.com

Kodak reserves the right to change any information contained herein without notice. All information furnished by Kodak is believed to be accurate.

WARNING: LIFE SUPPORT APPLICATIONS POLICY

Kodak image sensors are not authorized for and should not be used within Life Support Systems without the specific written consent of the Eastman Kodak Company. Product warranty is limited to replacement of defective components and does not cover injury or property or other consequential damages.

REVISION CHANGES

Revision Number	Description of Changes
1.0	Initial release. Same as rev. F (preliminary)
2.0	<p>Pg 18: Peak QE table – swapped Red and Blue titles to match wavelength</p> <p>Pg 19: Defect Definitions – tightened limits for major dark field (358mV to 74mV), major dark field (15% to 10%), and minor dark field (114mV to 38mV). Added Dead pixel and Saturated pixels definitions.</p> <p>Pg 26: Test 7: updated calculations with the 10% threshold</p> <p>Pg 27: Added maximum voltage ratings between pins table</p> <p>Pg 28: Modified DC Operating conditions to indicate settings for $\leq 40\text{Ke-}$. Removed min and max values for GND</p> <p>Pg 30: Timing Requirements – removed nominal value for T_{FD}</p>